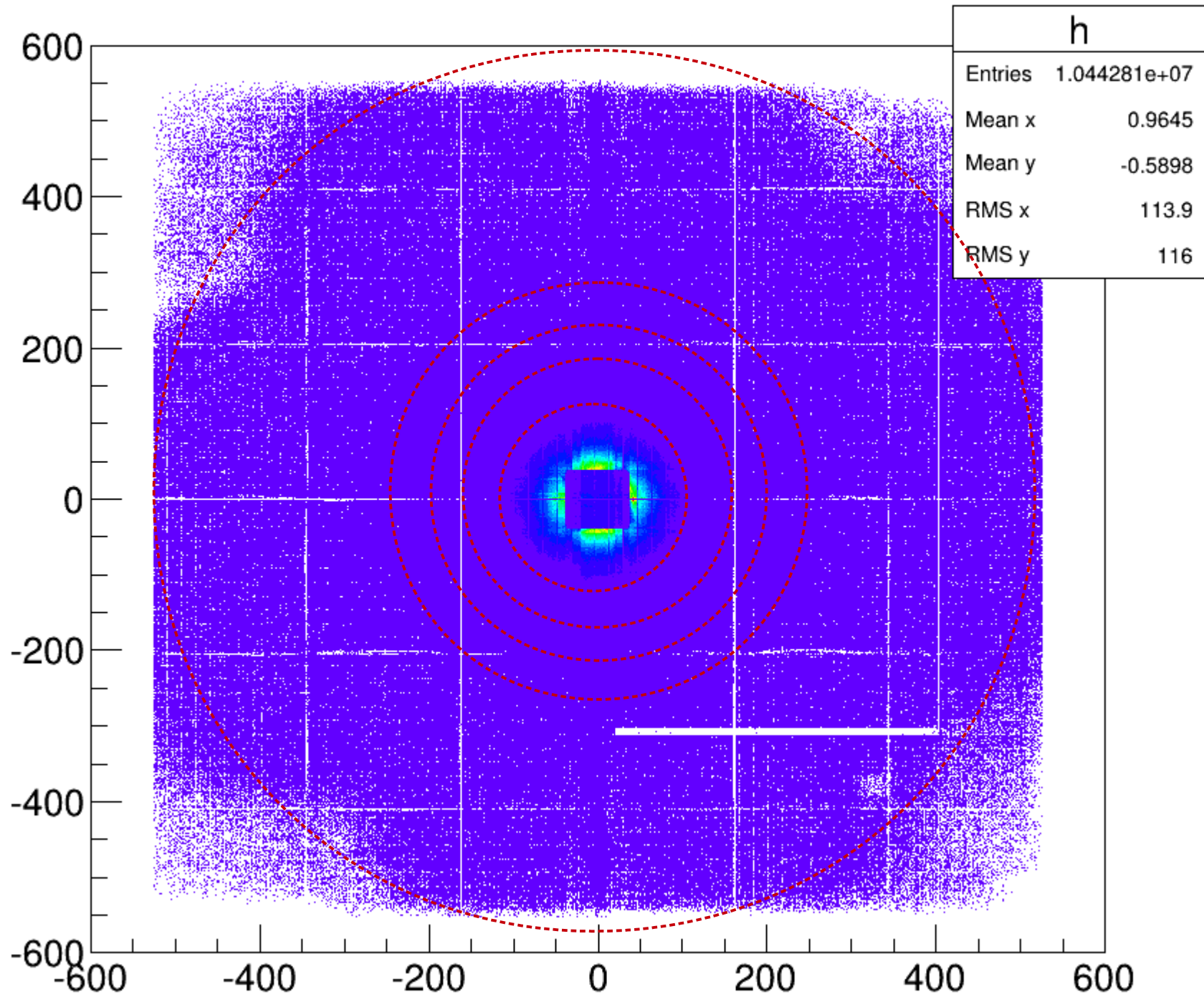


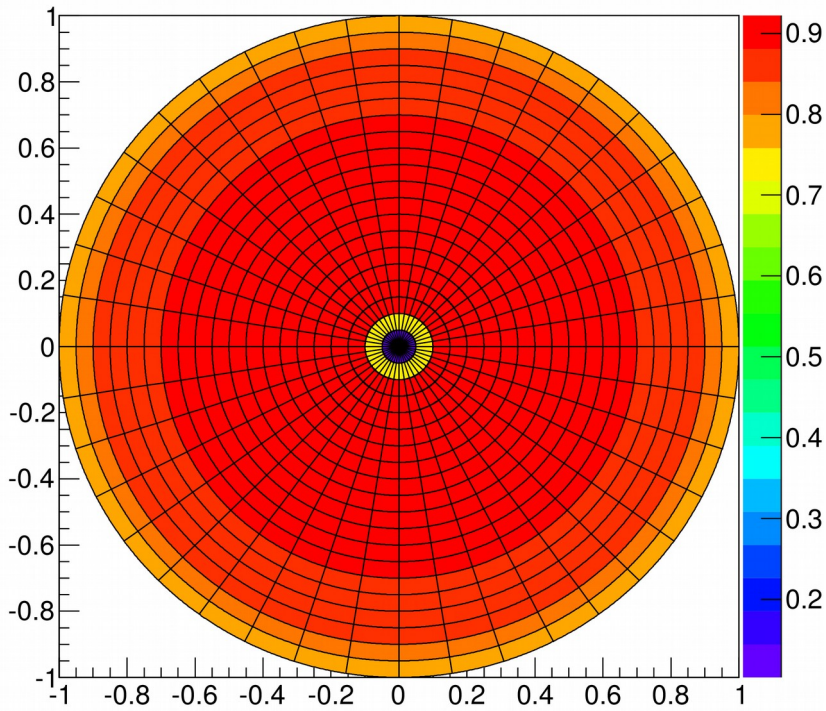
gem\_hit\_y:gem\_hit\_x



# A Qualitative Plot showing Efficiency along Radius

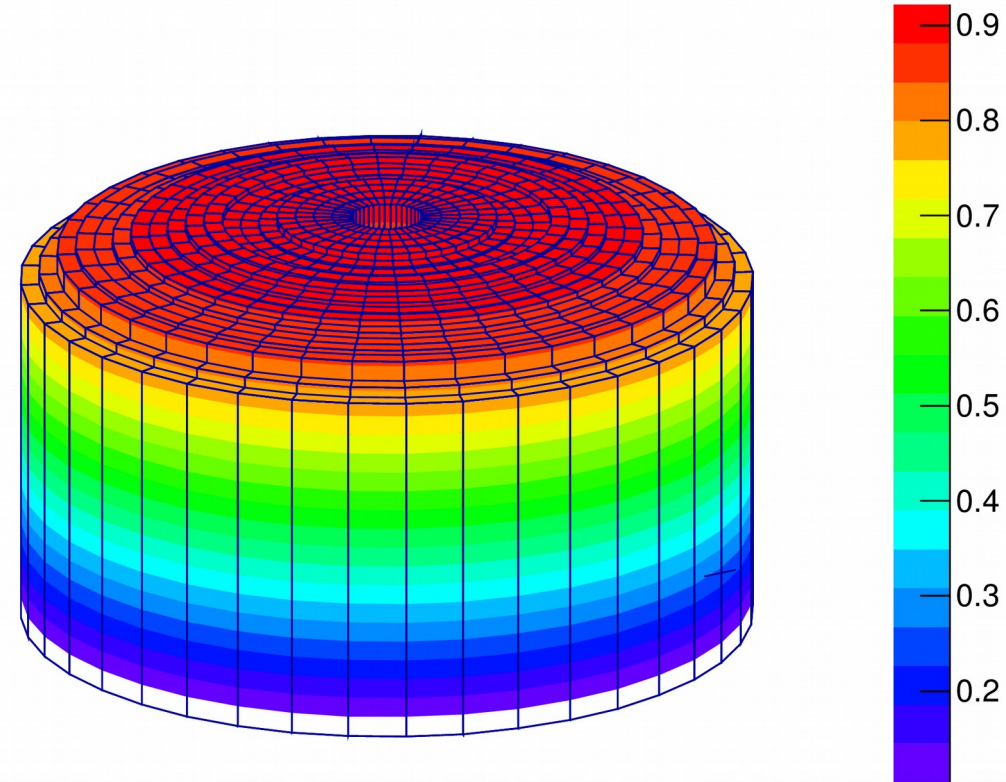
Using preliminary e-p + Moller events. Efficiency relative to hycal.

efficiency along radius



Units R/600mm

efficiency along radius



Dead Area Not yet Excluded