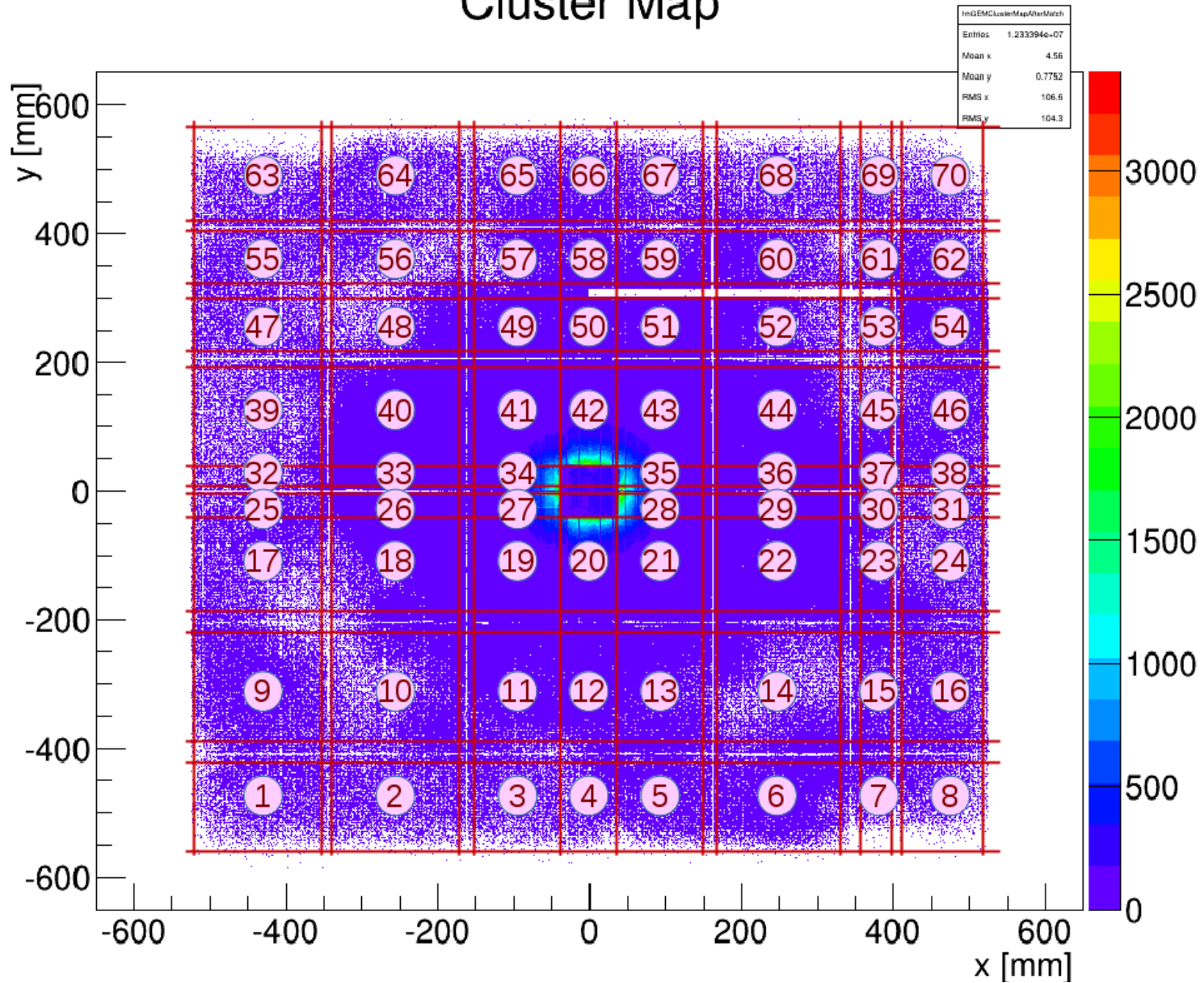
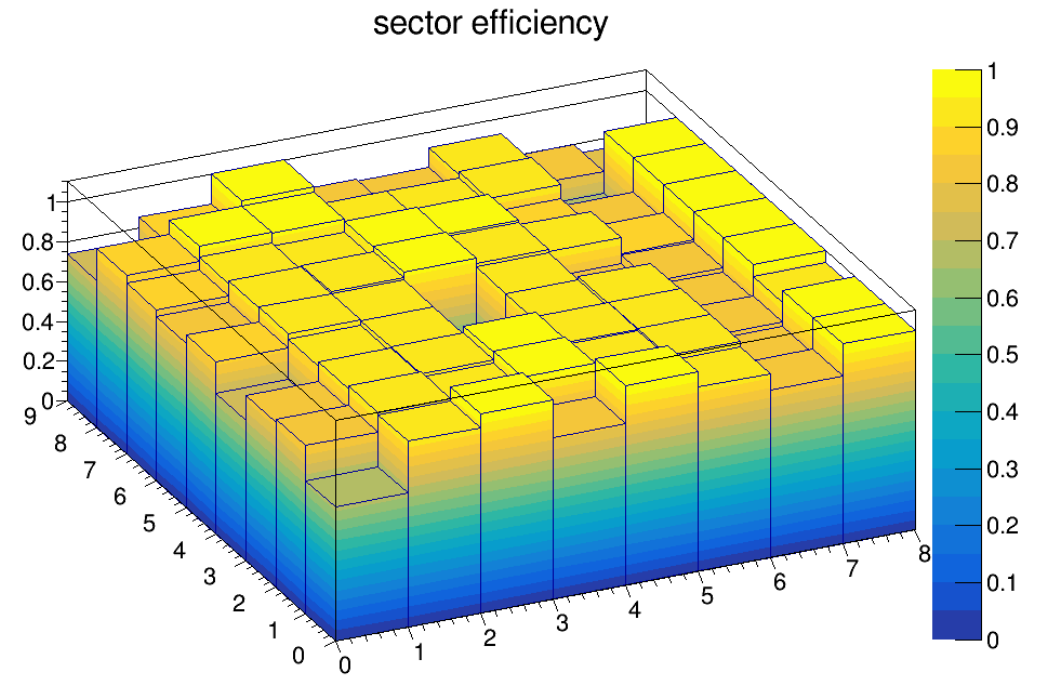


# Cluster Map

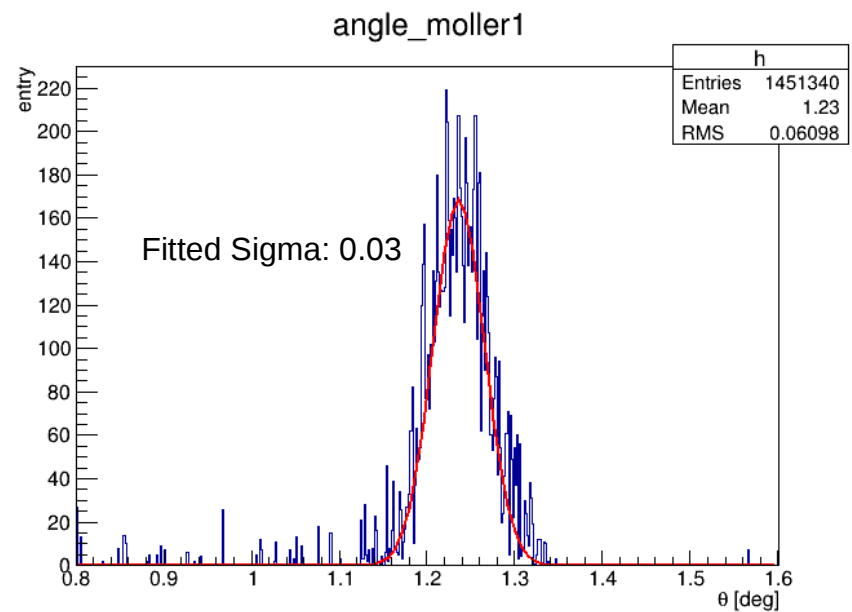
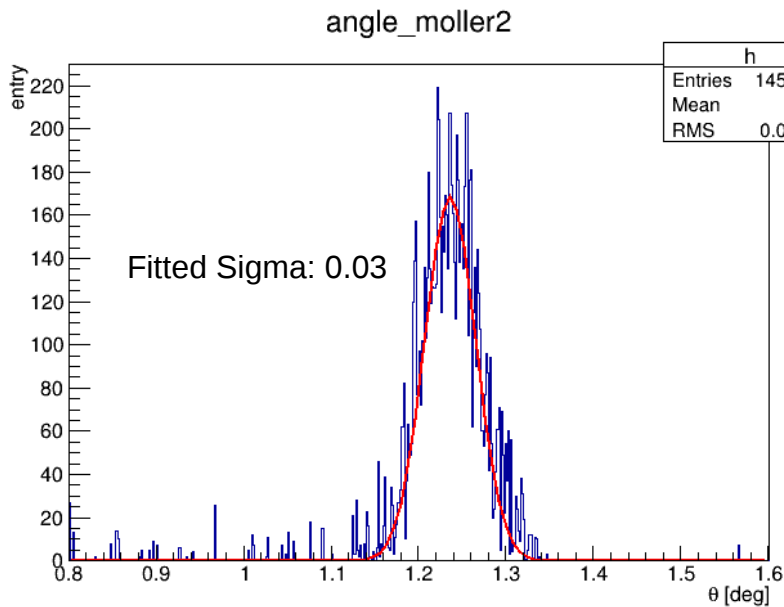
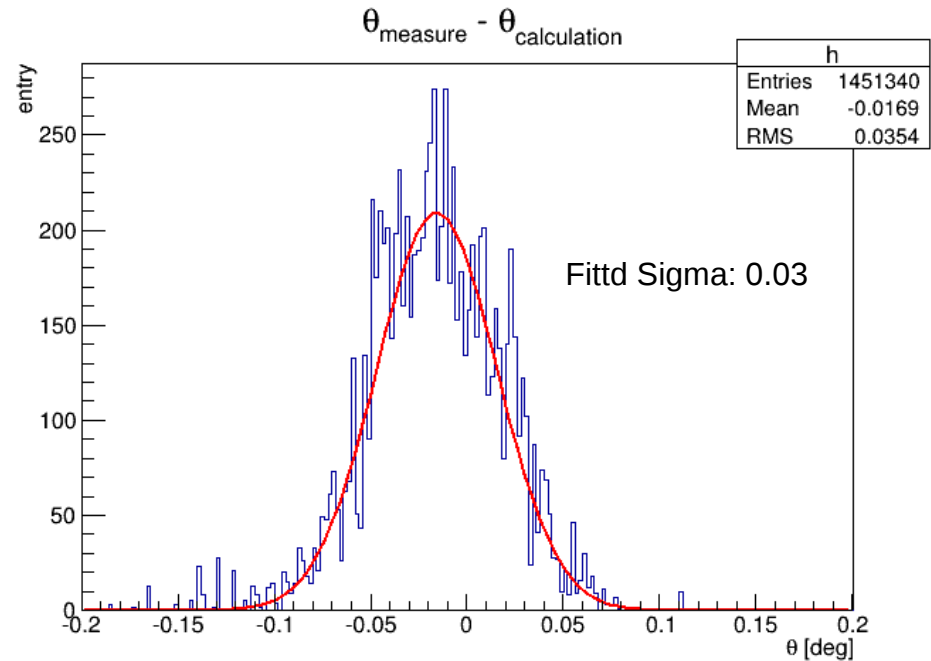


- HyCal Multiplicity = 1.
- Project to GEM local coordinate.
- Offset Between GEM and HyCal not corrected.
- $5\sigma$  energy cut.
- Average eff = 93.4%
- Around hole area: 93% ~ 97%.
- More statistics ...

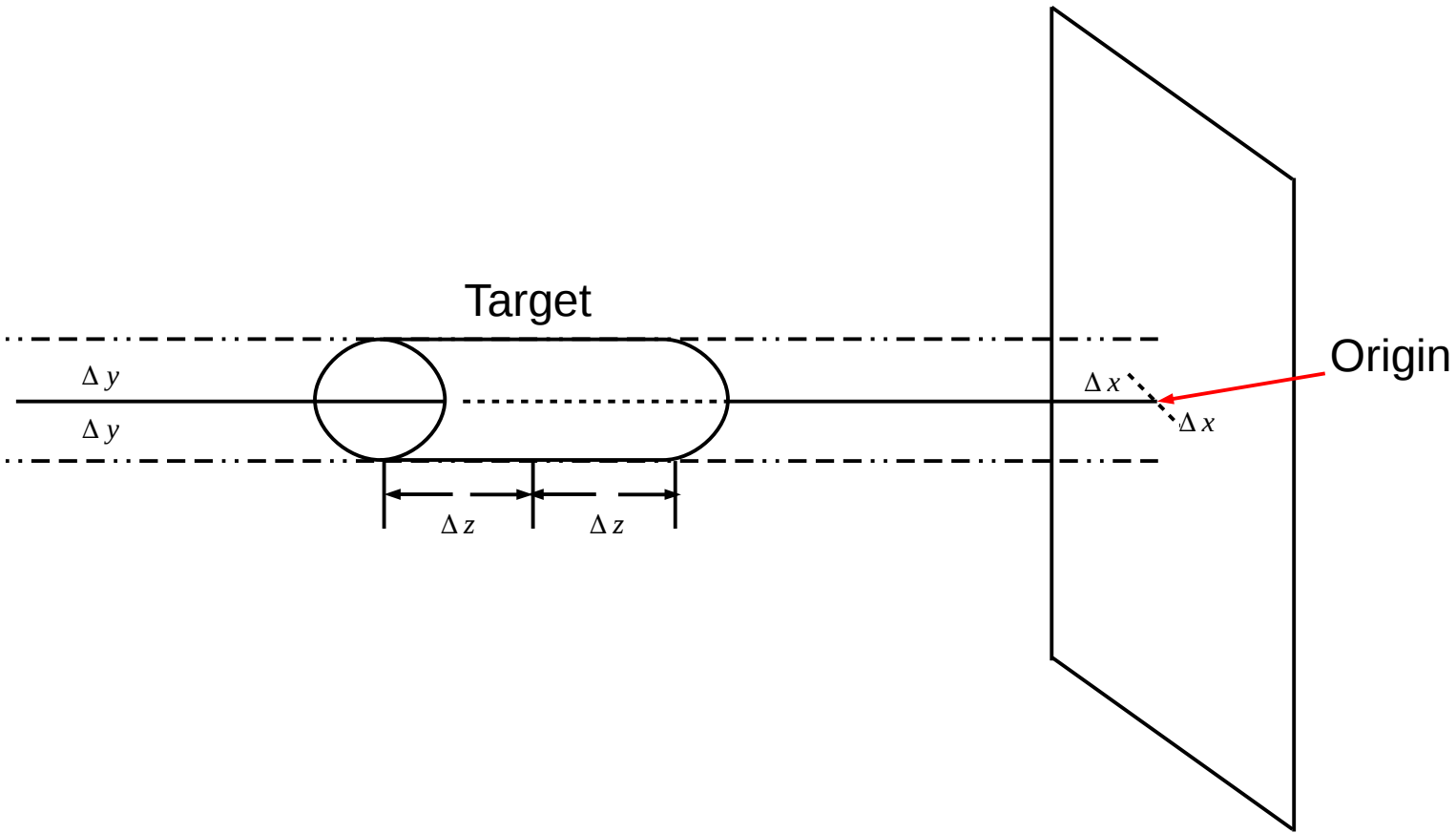


$$e + e_0 \rightarrow e_1 + e_2$$

- choose events:  $E1 = E2$
- top plot: measured scattering angle  
- calculated angle (1.725 for 2.1GeV)
- bottom plots: measured scattering angle  
for two electrons.
- Need to improve offsets.
- Or ...



Use calculated Moller center, instead of origin?



Systematic Uncertainties