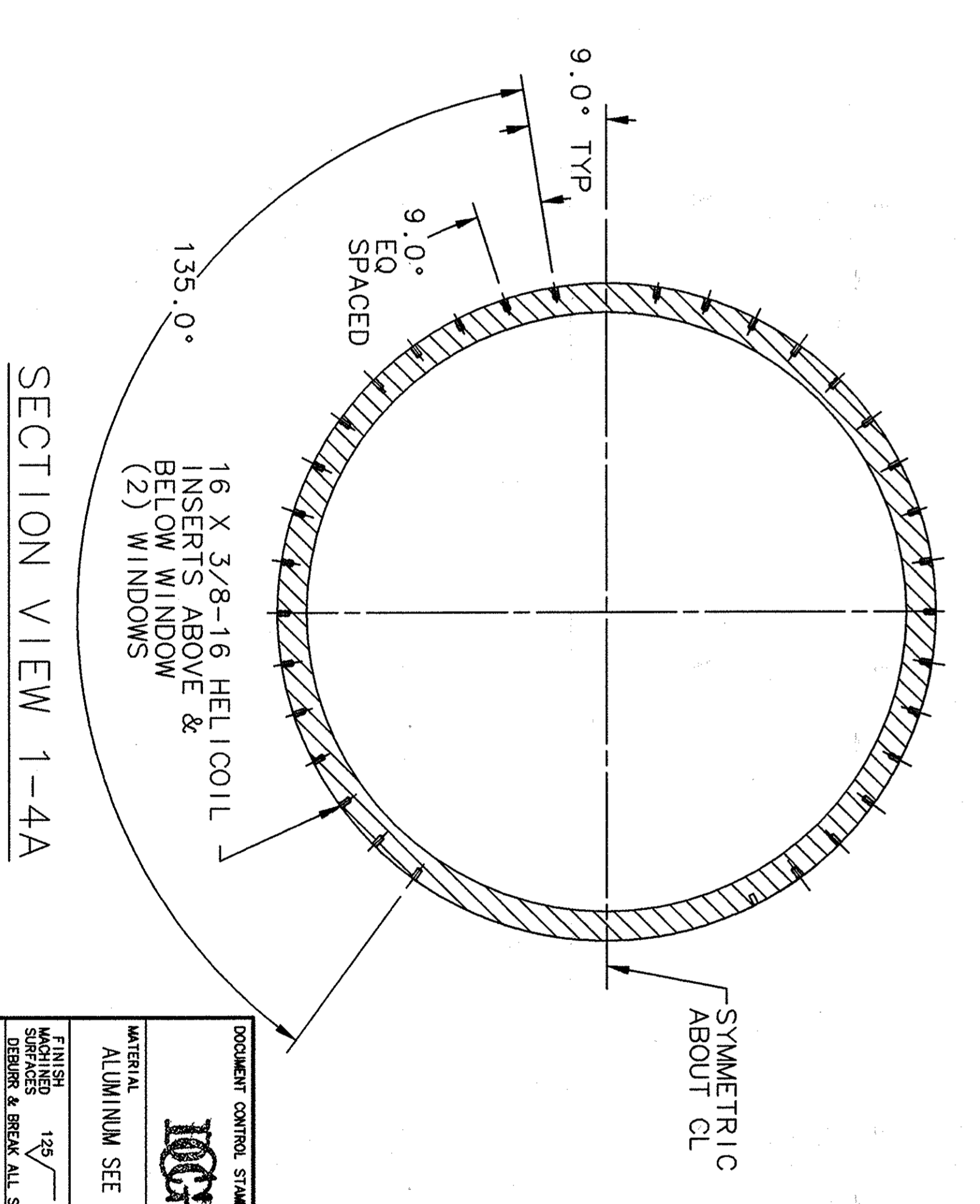
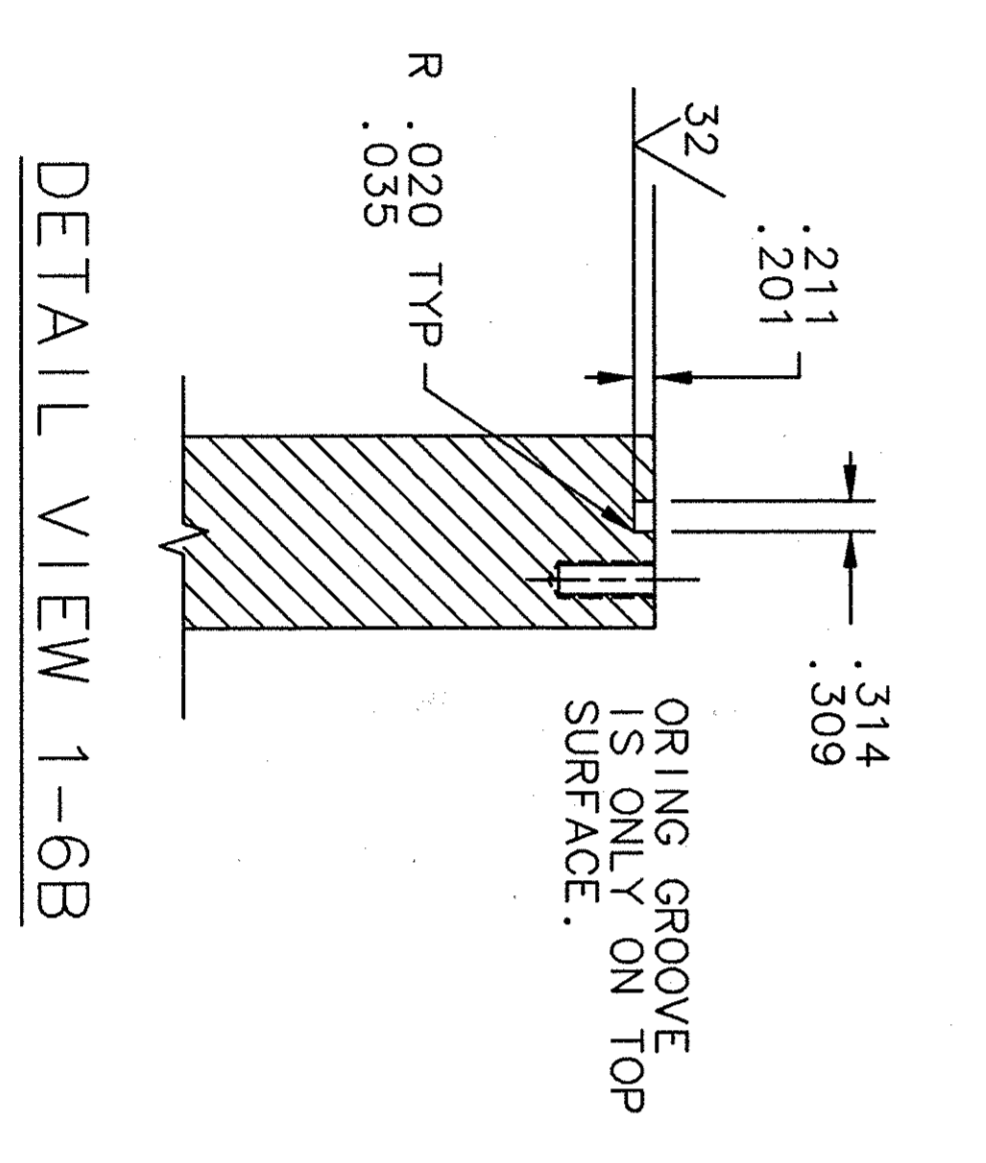
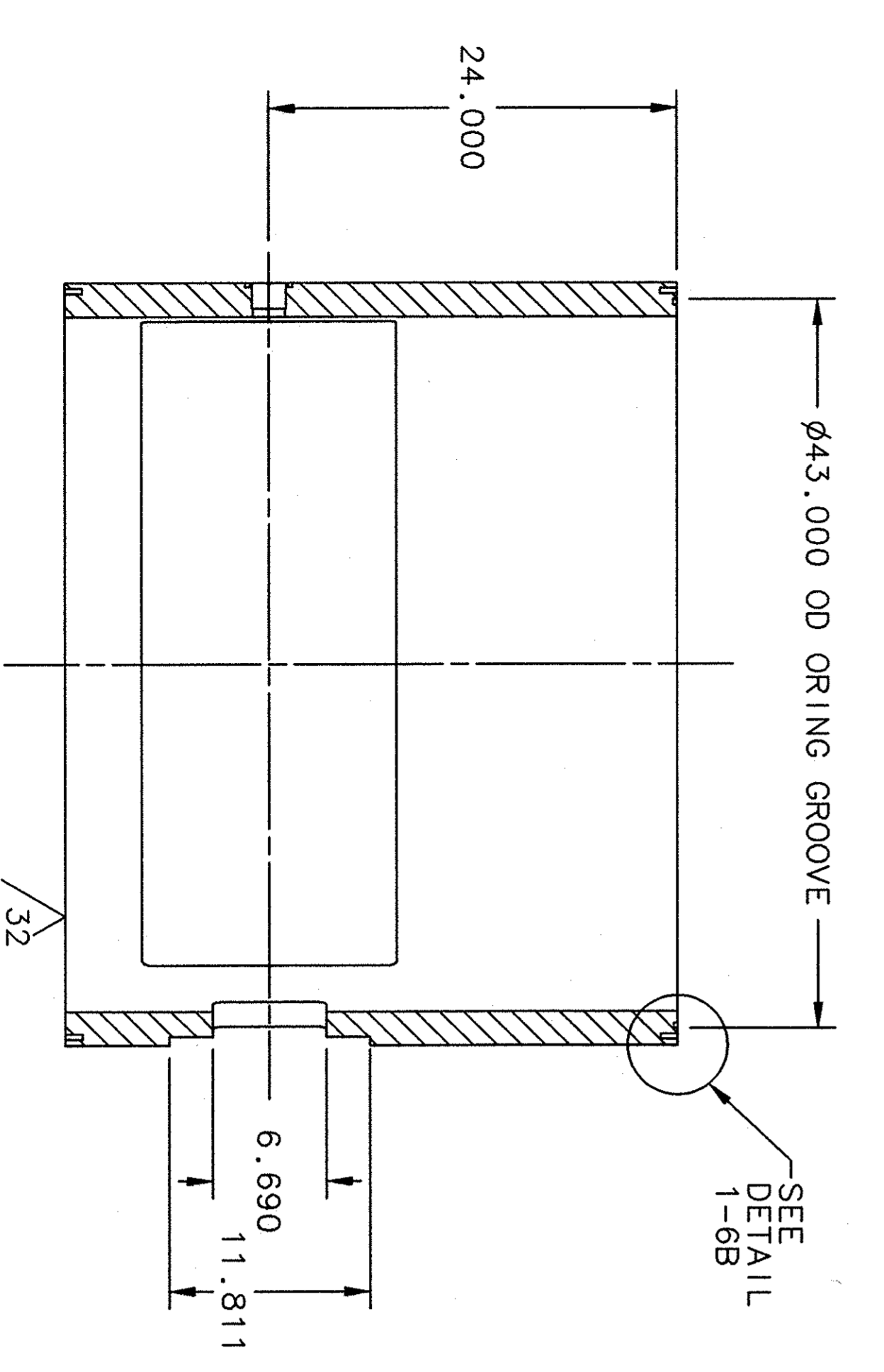
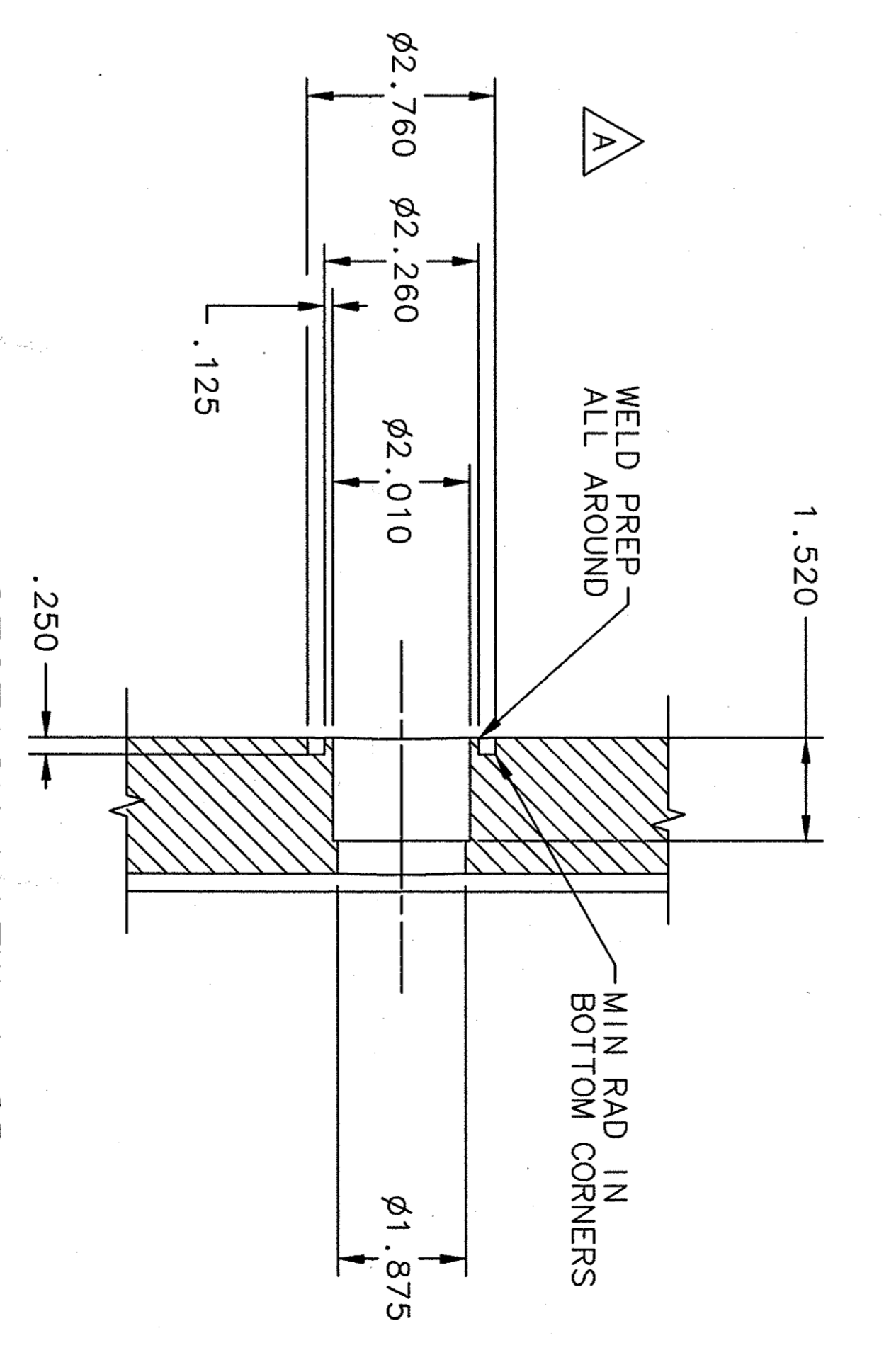
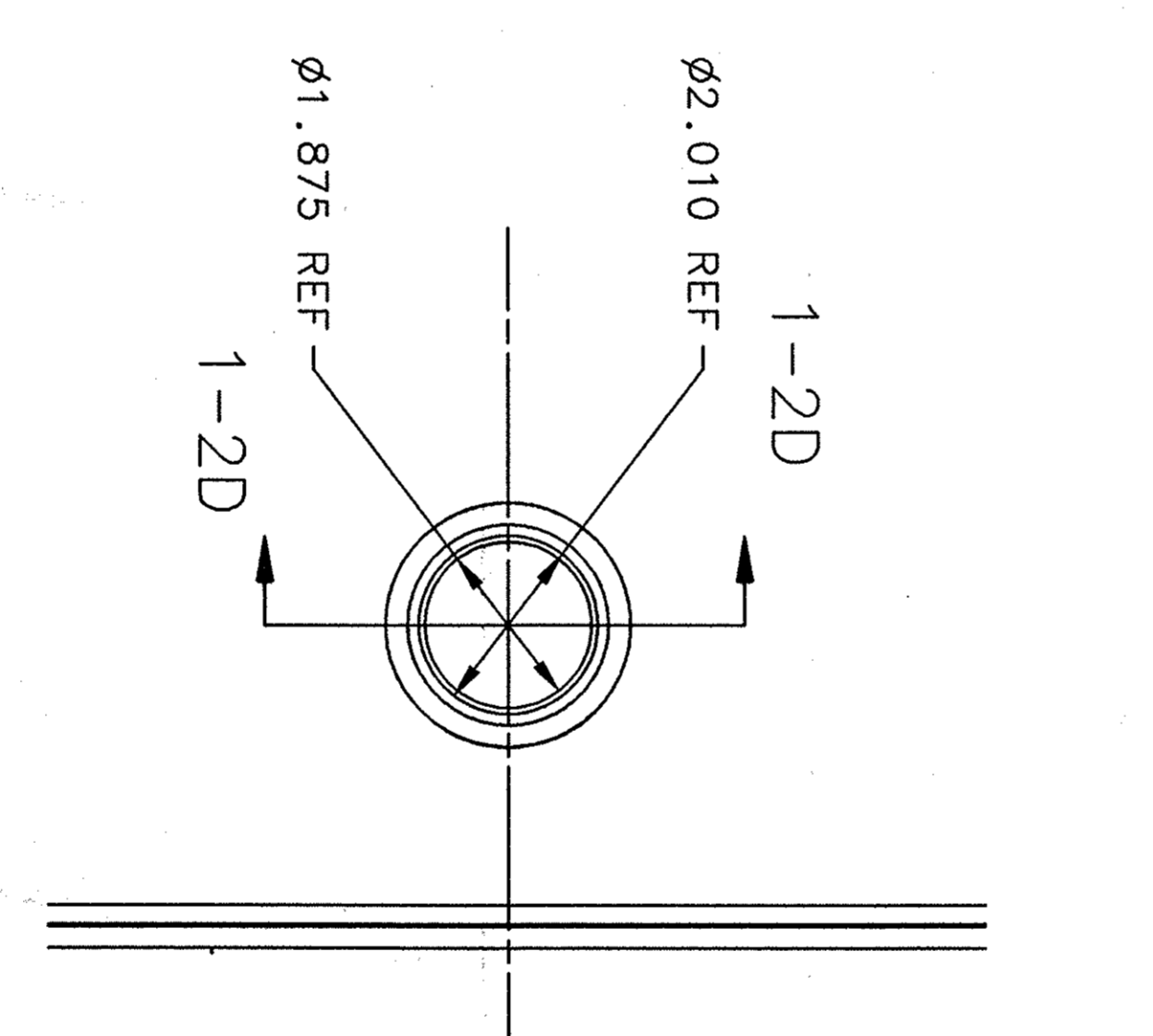
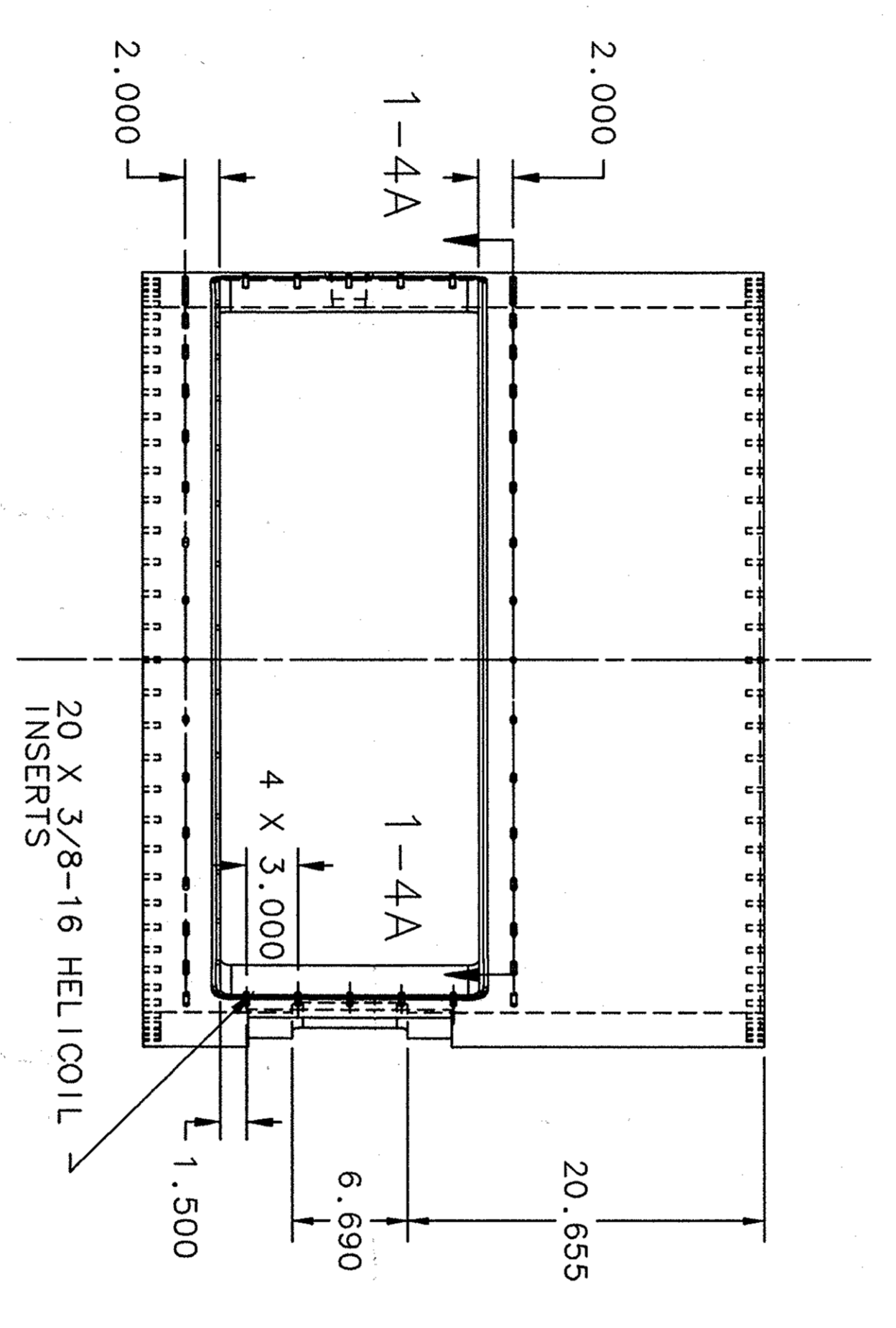
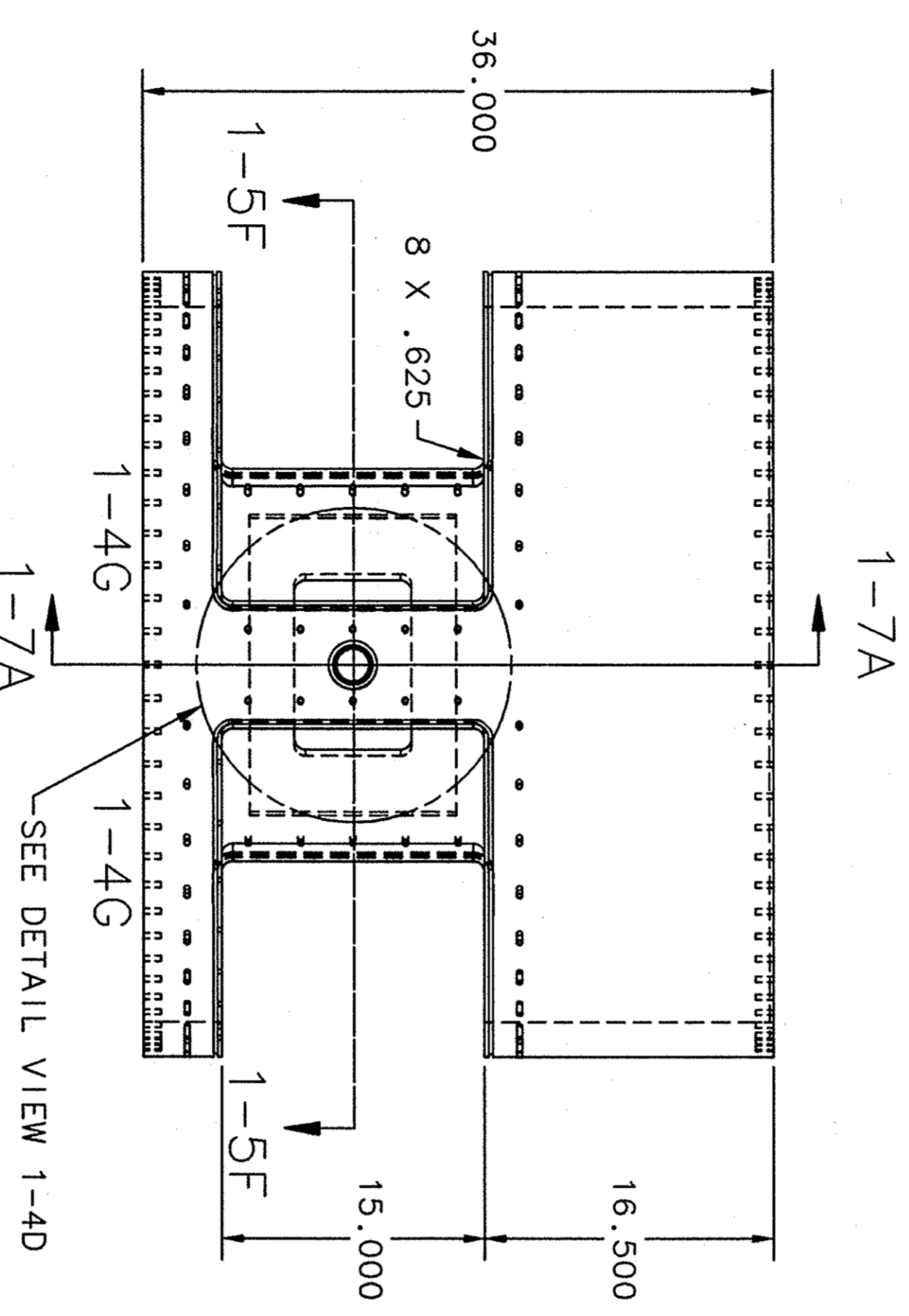
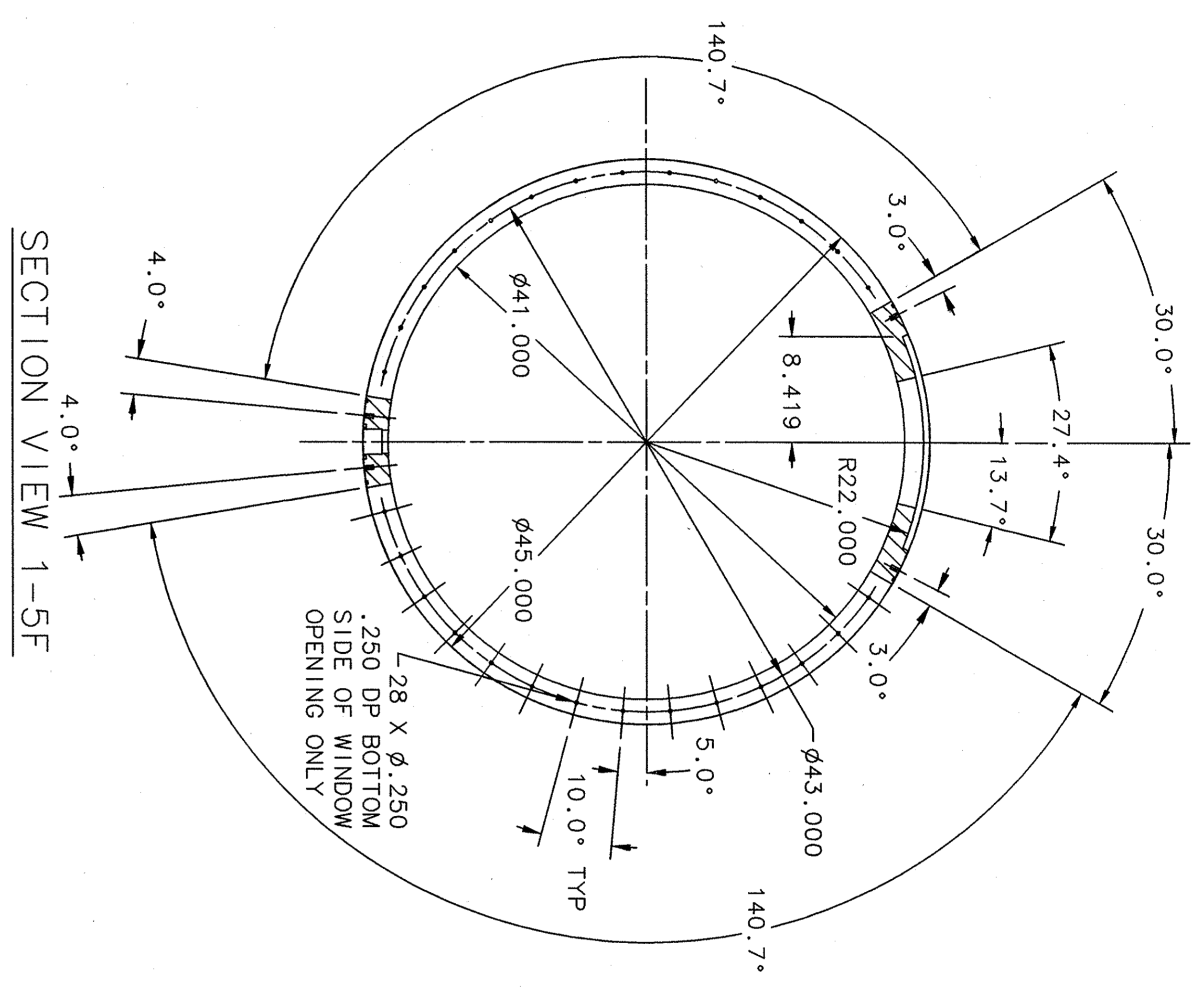
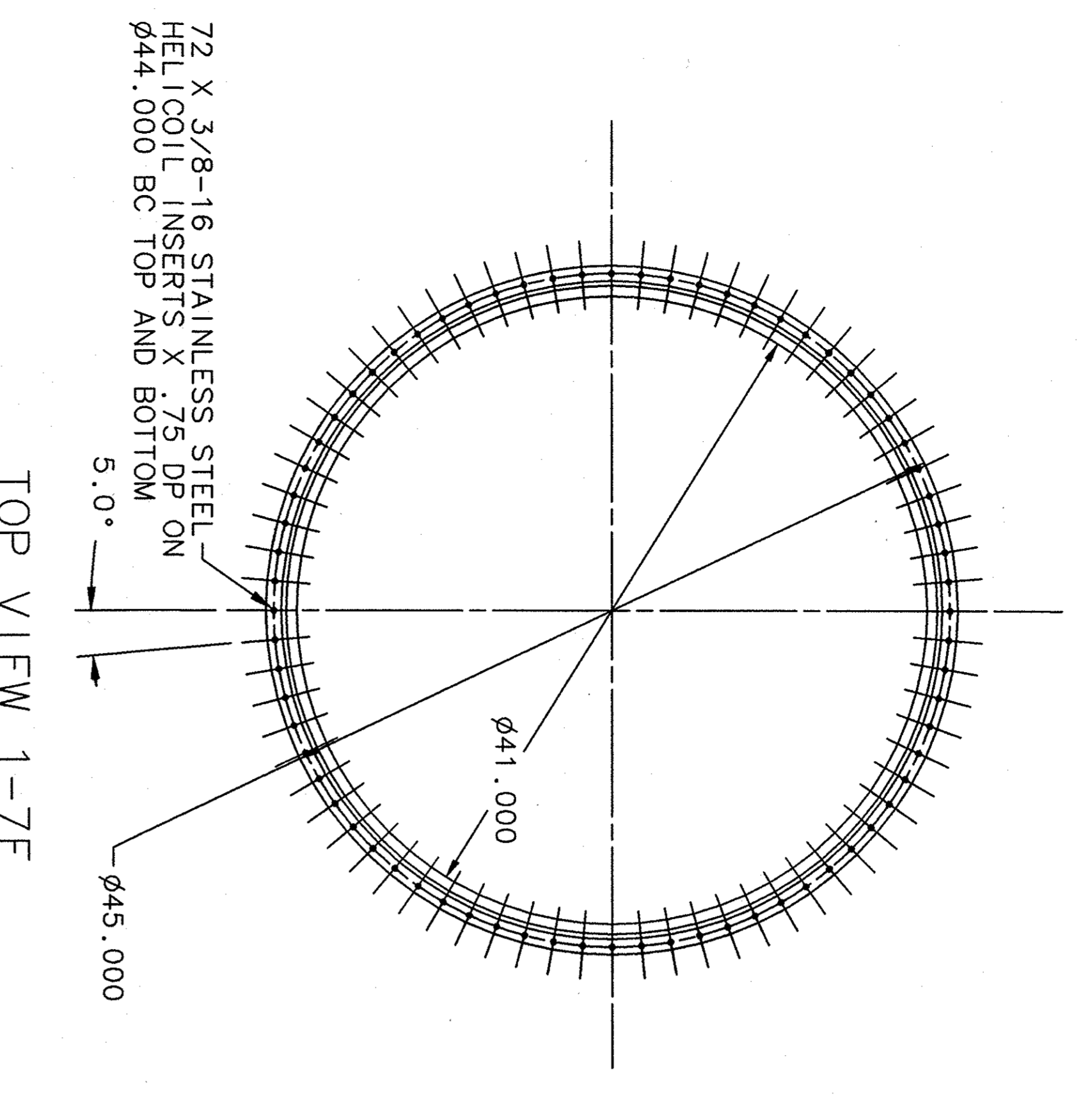
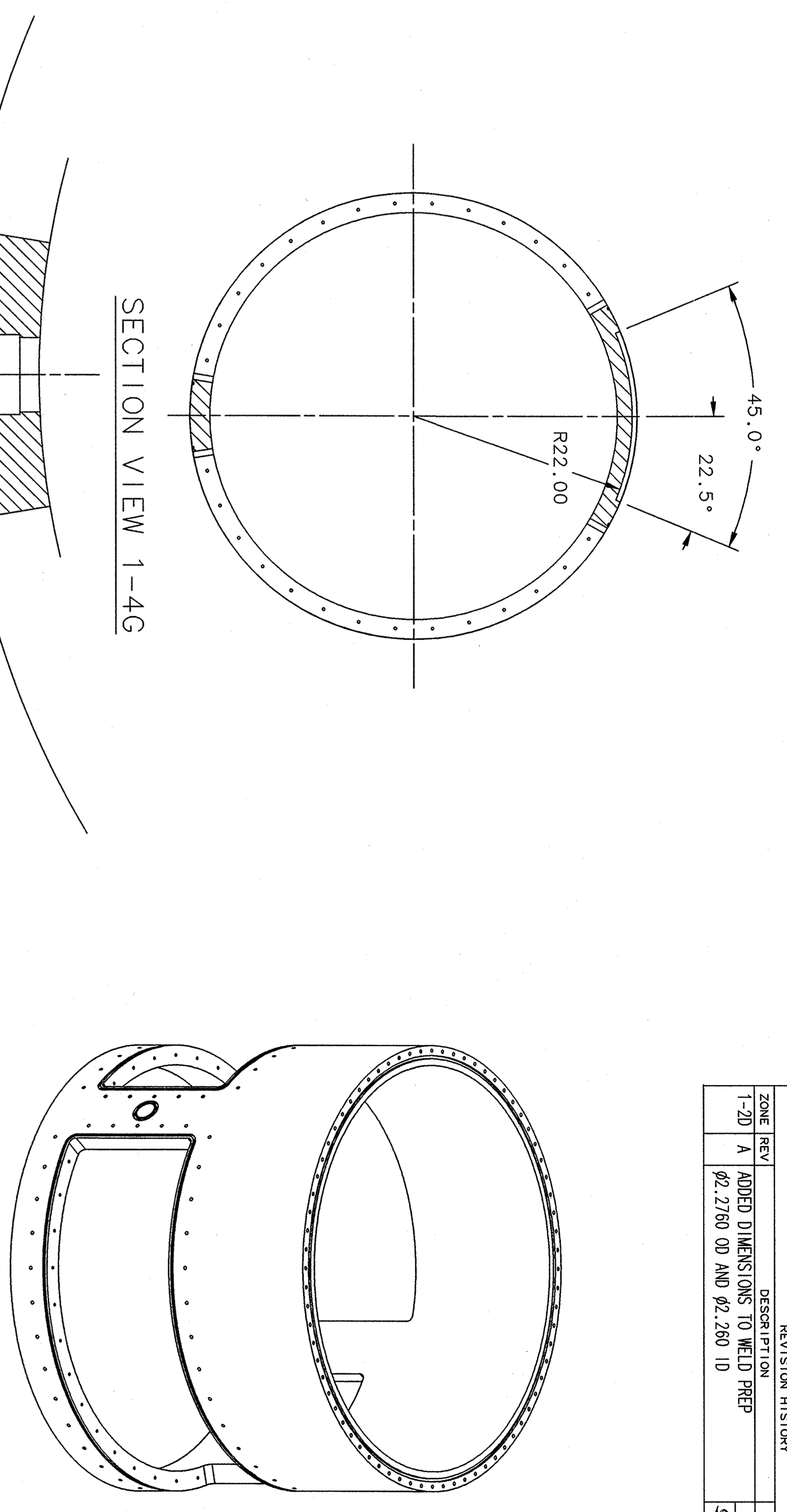


REVISION HISTORY		DATE	APPROVED
1-2D	A	09 OCT 03	MILLER
ADDED DIMENSIONS TO WELD PREP		09 OCT 03	
Ø2.2760 OD AND Ø2.280 ID		09 OCT 03	



NOTES:
 1. APPROX WEIGHT 620 LBS.
 2. MATERIAL MAY BE FORGED OR SPIN CAST.

DOCUMENT CONTROL SYSTEM		DATE OF REVISION		DRAWING NO.	
MATERIAL		THIRD ANGLE PROJECTION		APPROVALS	
ALUMINUM SEE NOTE 2		DRAWN BY		DATE	
FINISH		CHECKED		DATE	
DIMENSIONS		APPROVED		DATE	
DO NOT SCALE DRAWING		D. HICINOMIA		20/03/03	
SCALE 1:3		SIZE DWG. NO.		REV. A	
1:3		65630-E-54000-30		1 OF 1	

EACH SHEET OF MULTI-SHEET DRAWINGS SHALL ALWAYS HAVE THE SAME REVISION LEVEL.		DRAWING NO.		DATE	
MATERIAL		THIRD ANGLE PROJECTION		APPROVALS	
ALUMINUM SEE NOTE 2		DRAWN BY		DATE	
FINISH		CHECKED		DATE	
DIMENSIONS		APPROVED		DATE	
DO NOT SCALE DRAWING		D. HICINOMIA		20/03/03	
SCALE 1:3		SIZE DWG. NO.		REV. A	
1:3		65630-E-54000-30		1 OF 1	

8 7 6 5 4 3 2 1