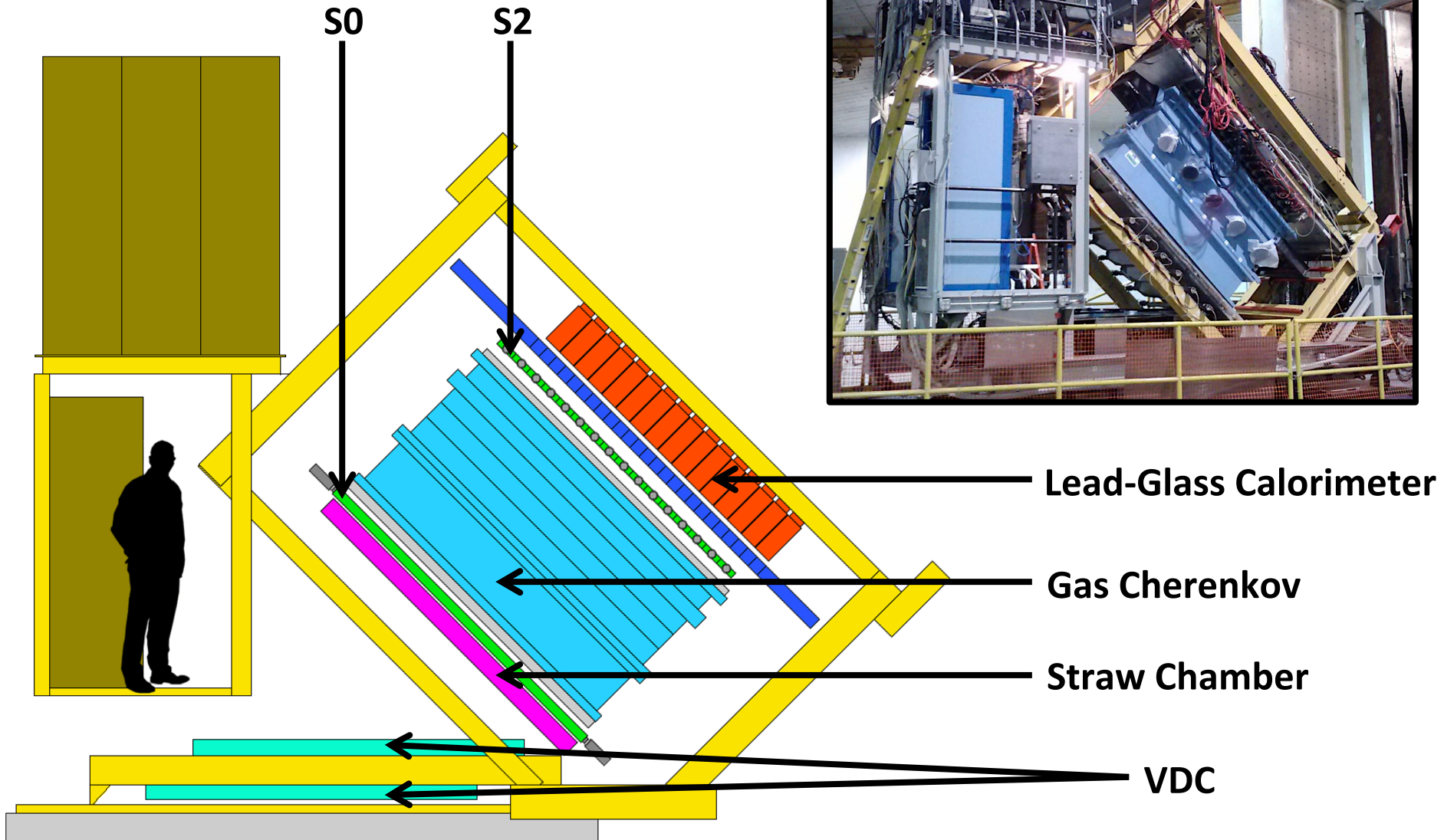


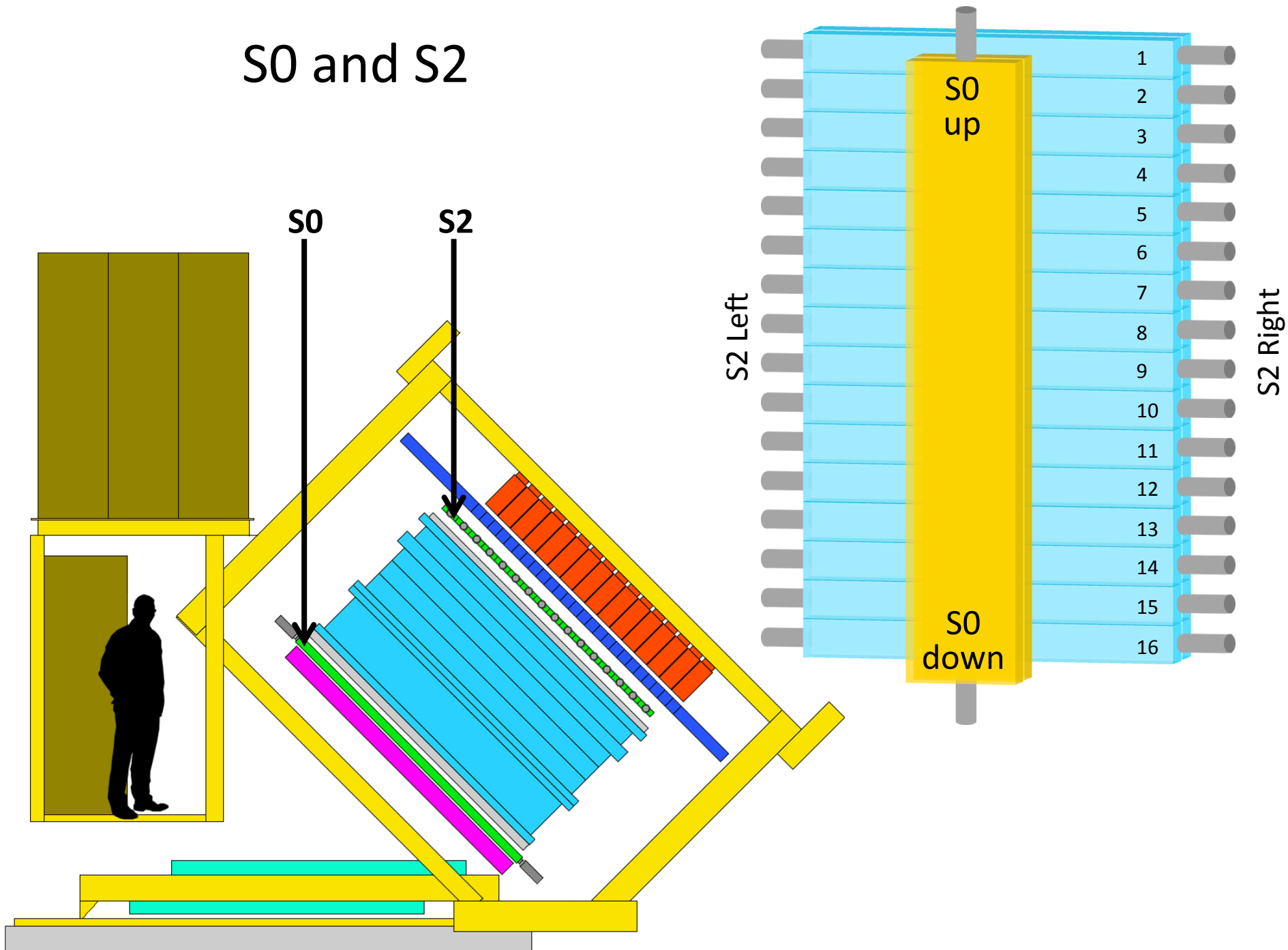
Brief overview of the Hall A scintillators

Reynier Cruz Torres

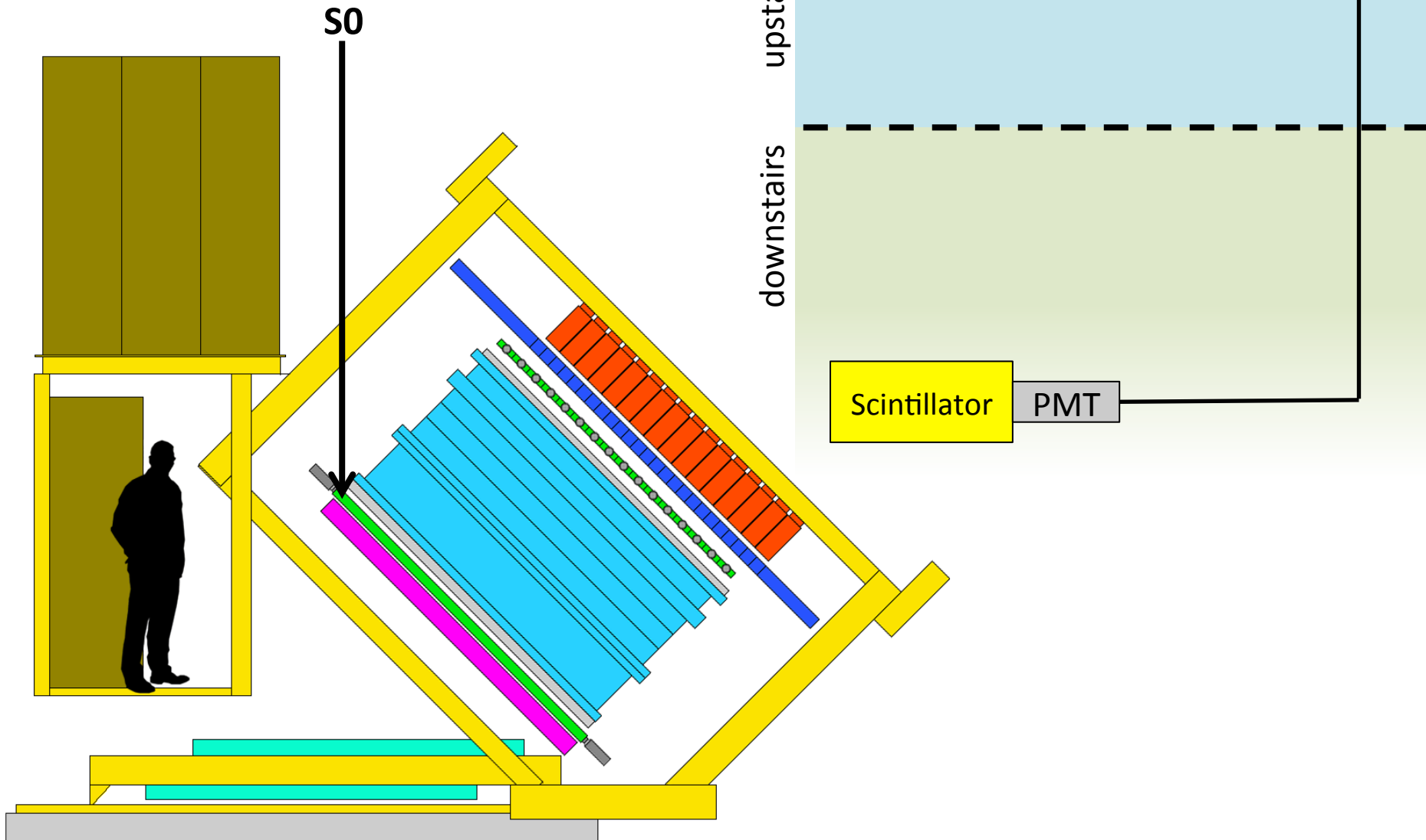
HRS Detector Configuration



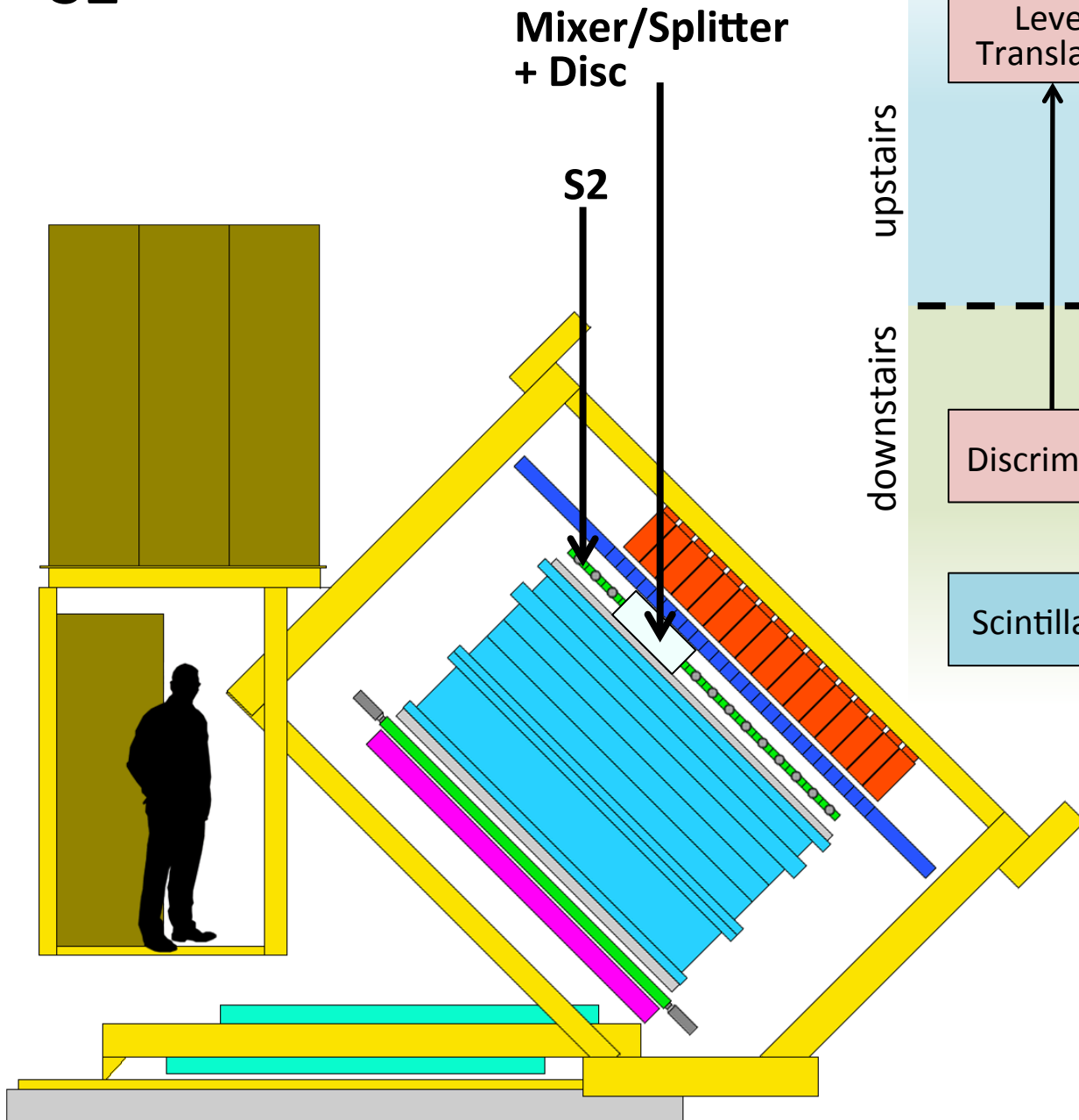
S0 and S2



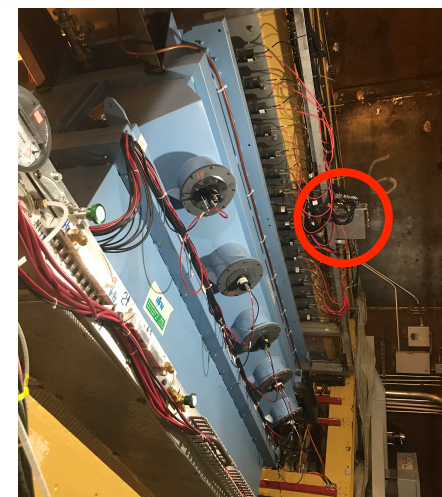
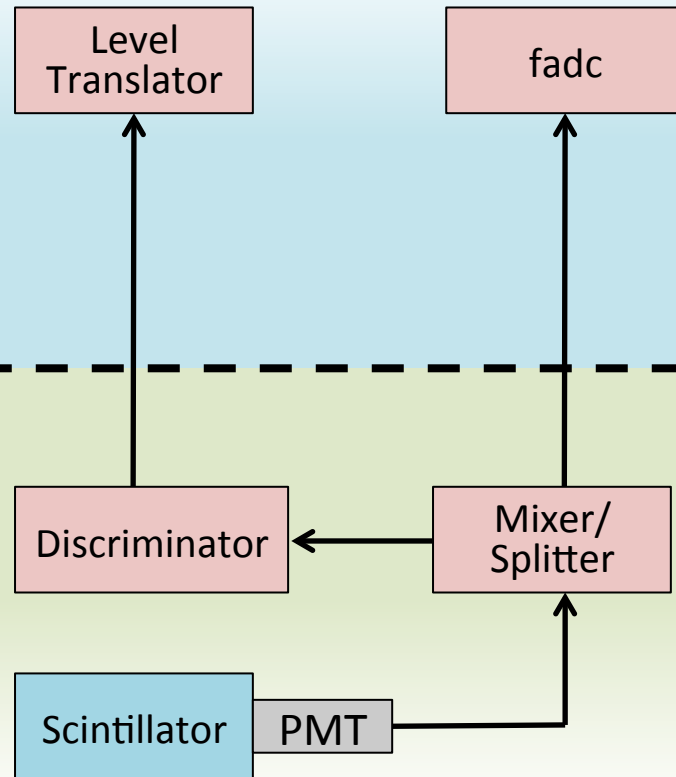
S0



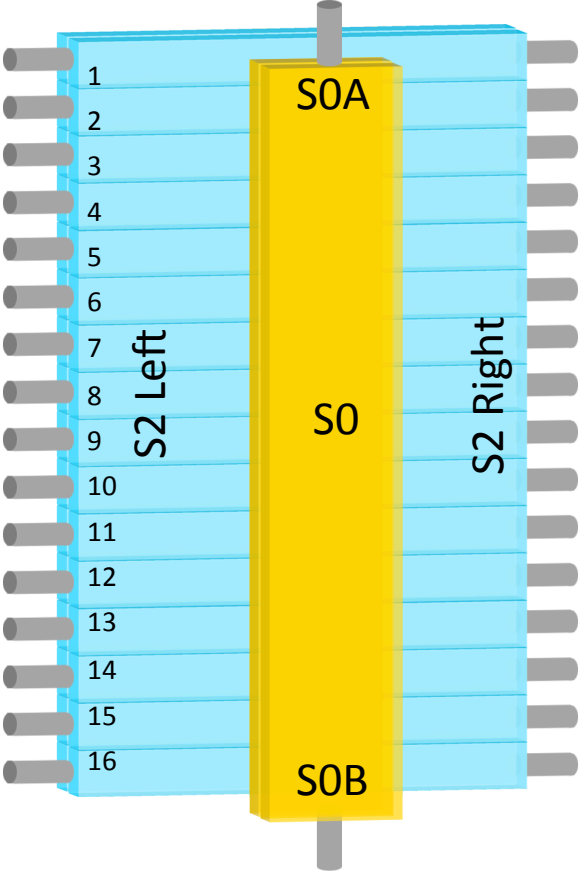
S2



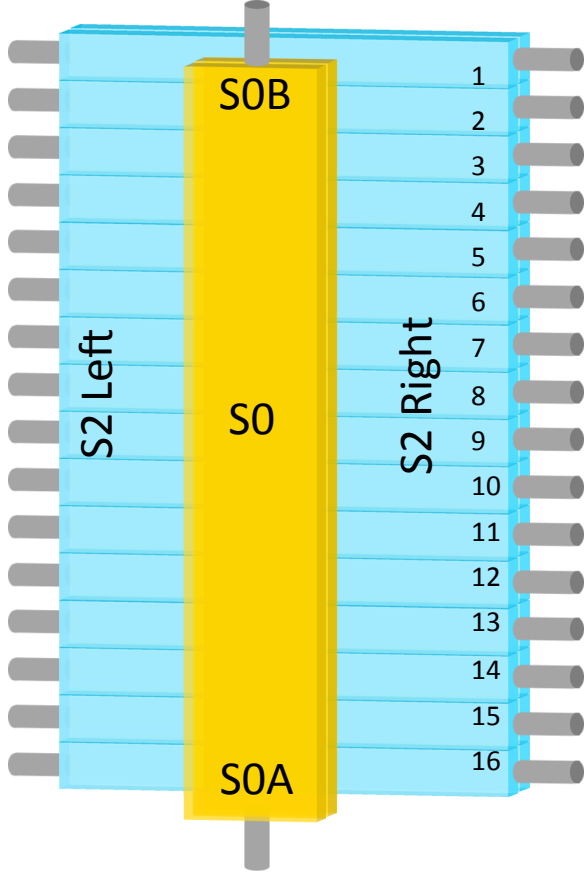
upstairs
downstairs



S0A and S0B have different meanings in the two arms

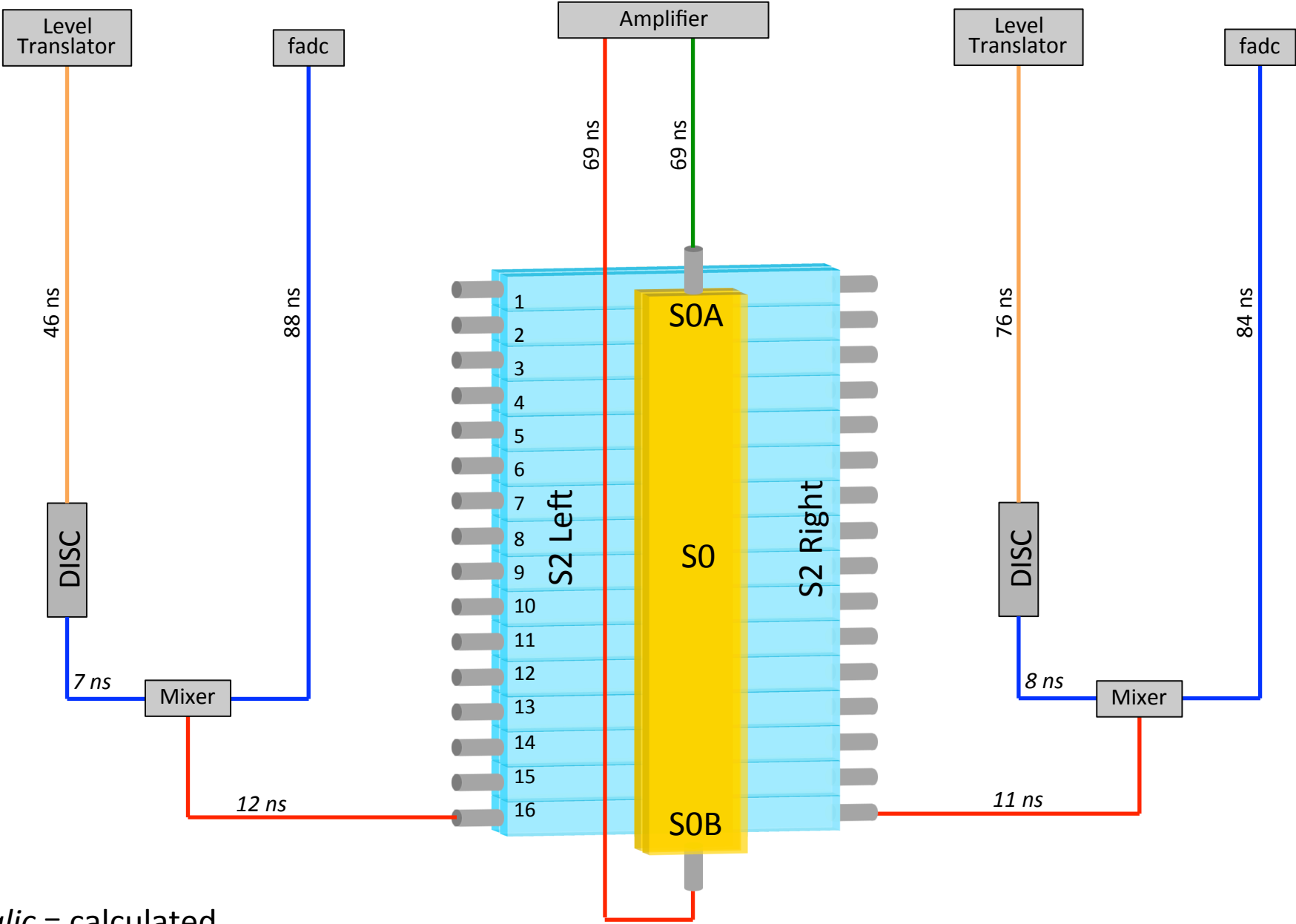


LHRS

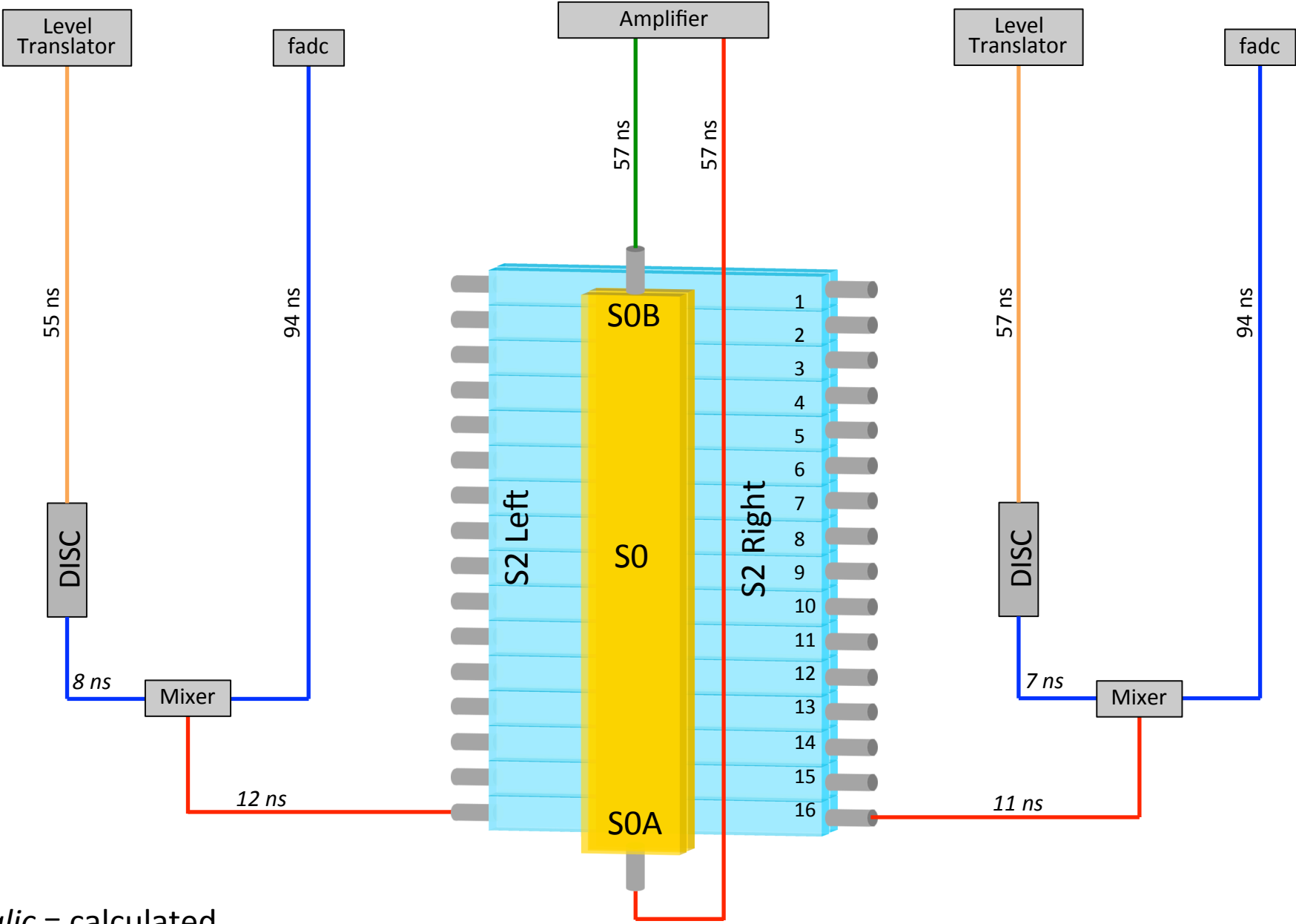


RHRS

LHRS



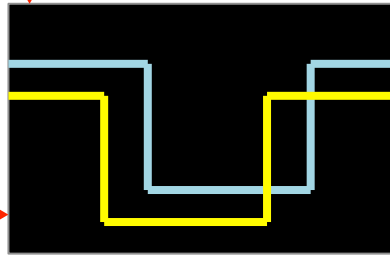
RHRS



2 methods used in these measurements



Scope



- Scope impedance from 50Ω to $1M\Omega$
- Measure reflections

