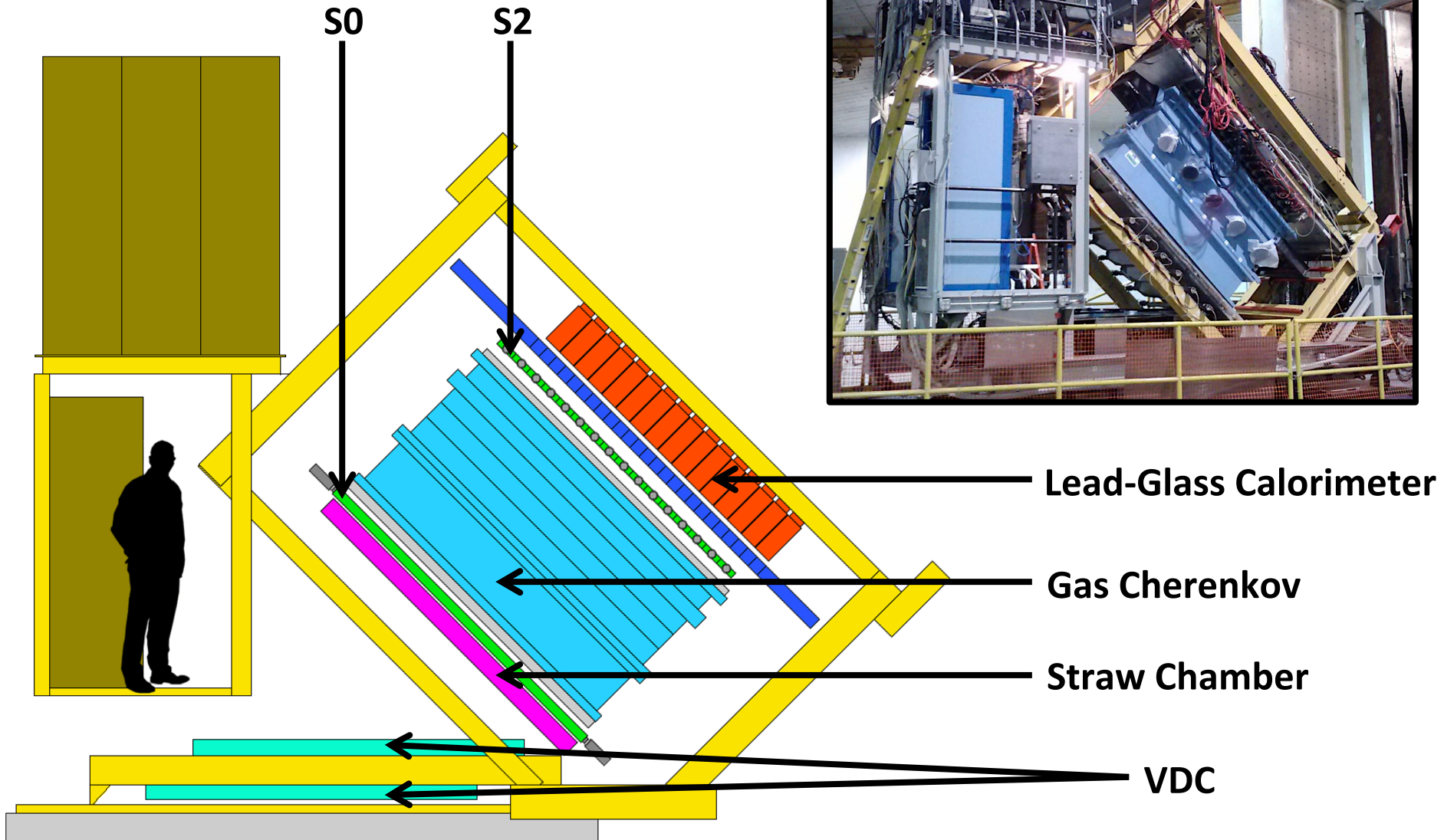


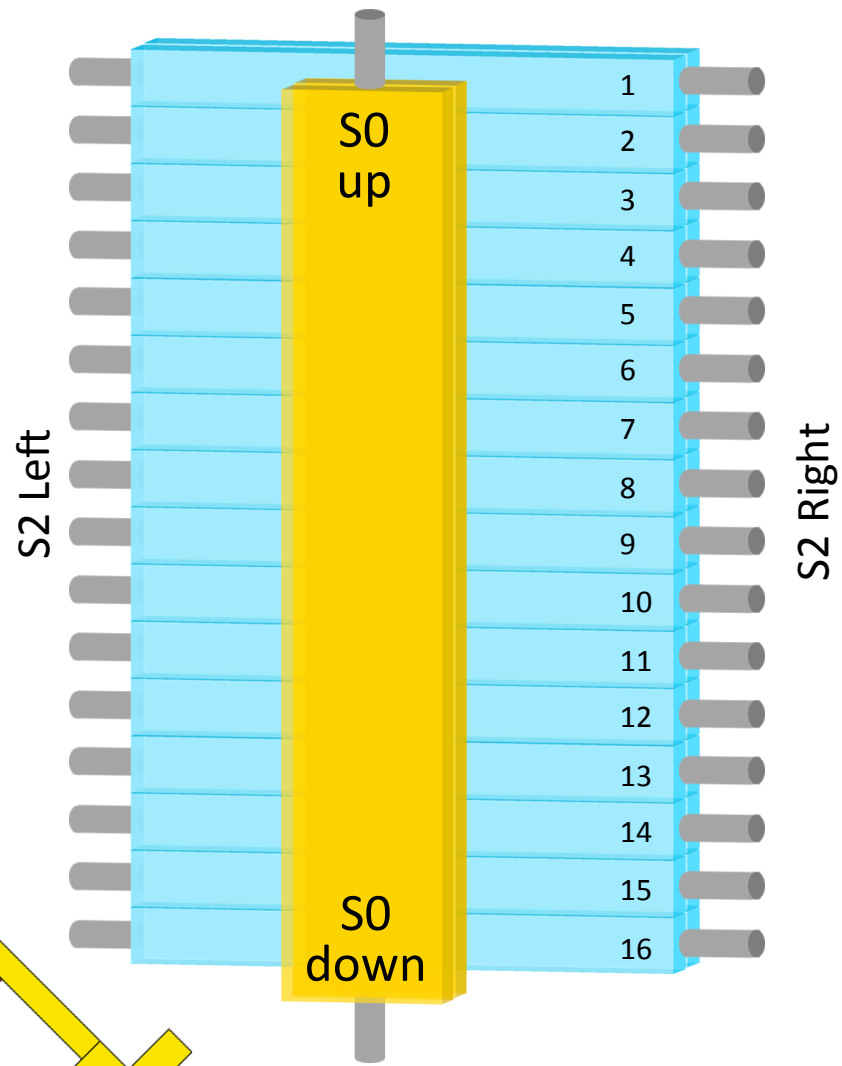
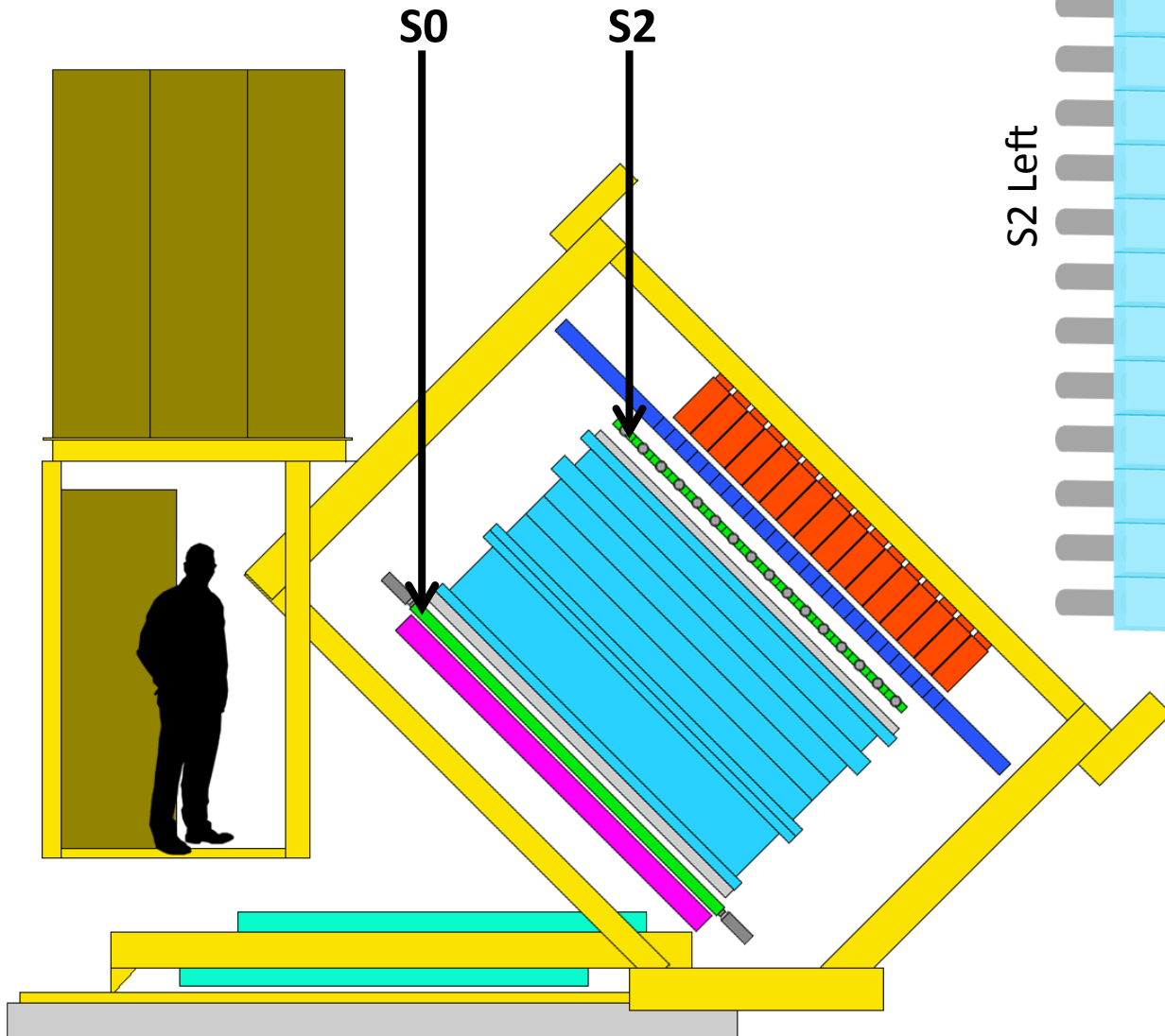
# Brief overview of the Hall A scintillators

Reynier Cruz Torres

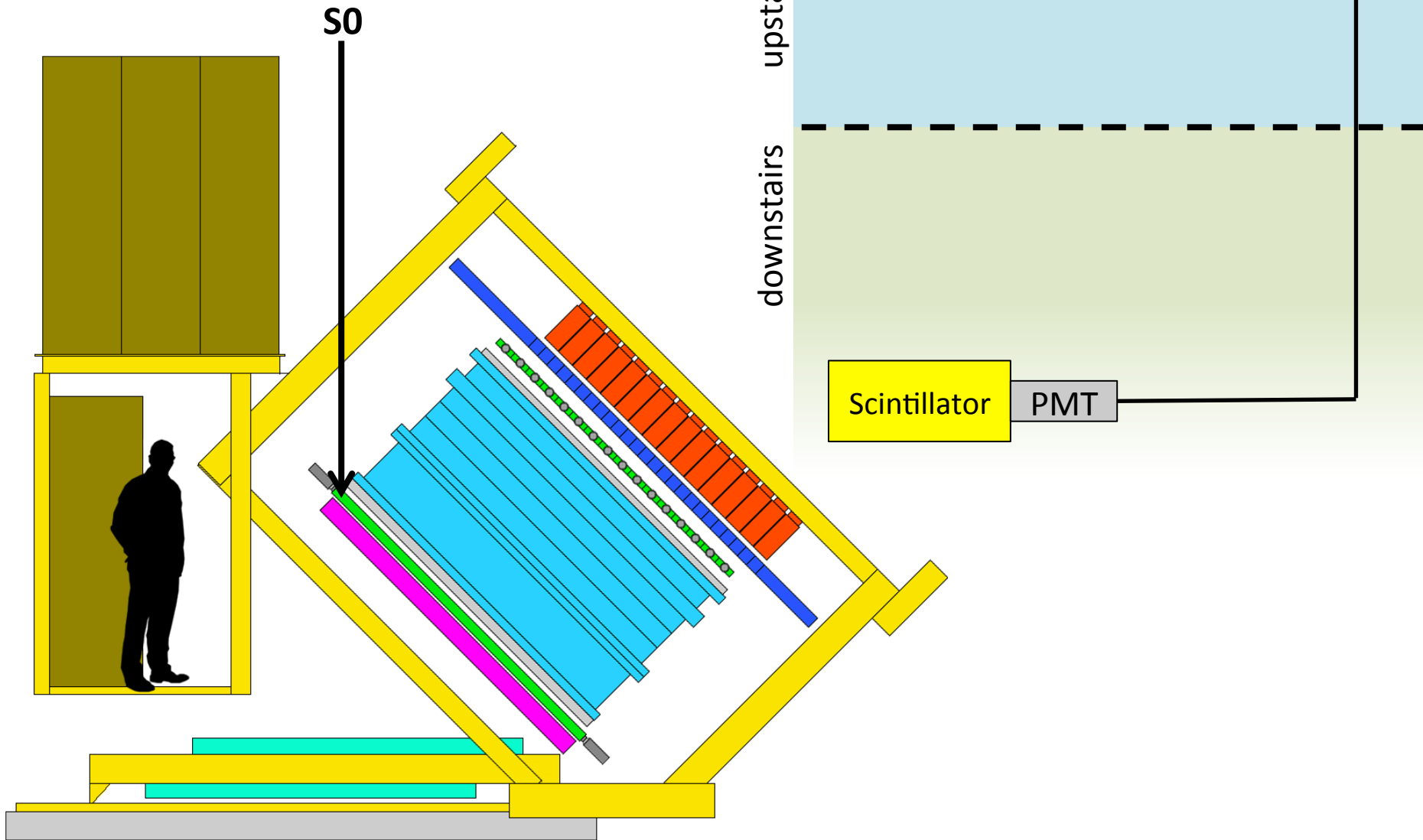
# HRS Detector Configuration



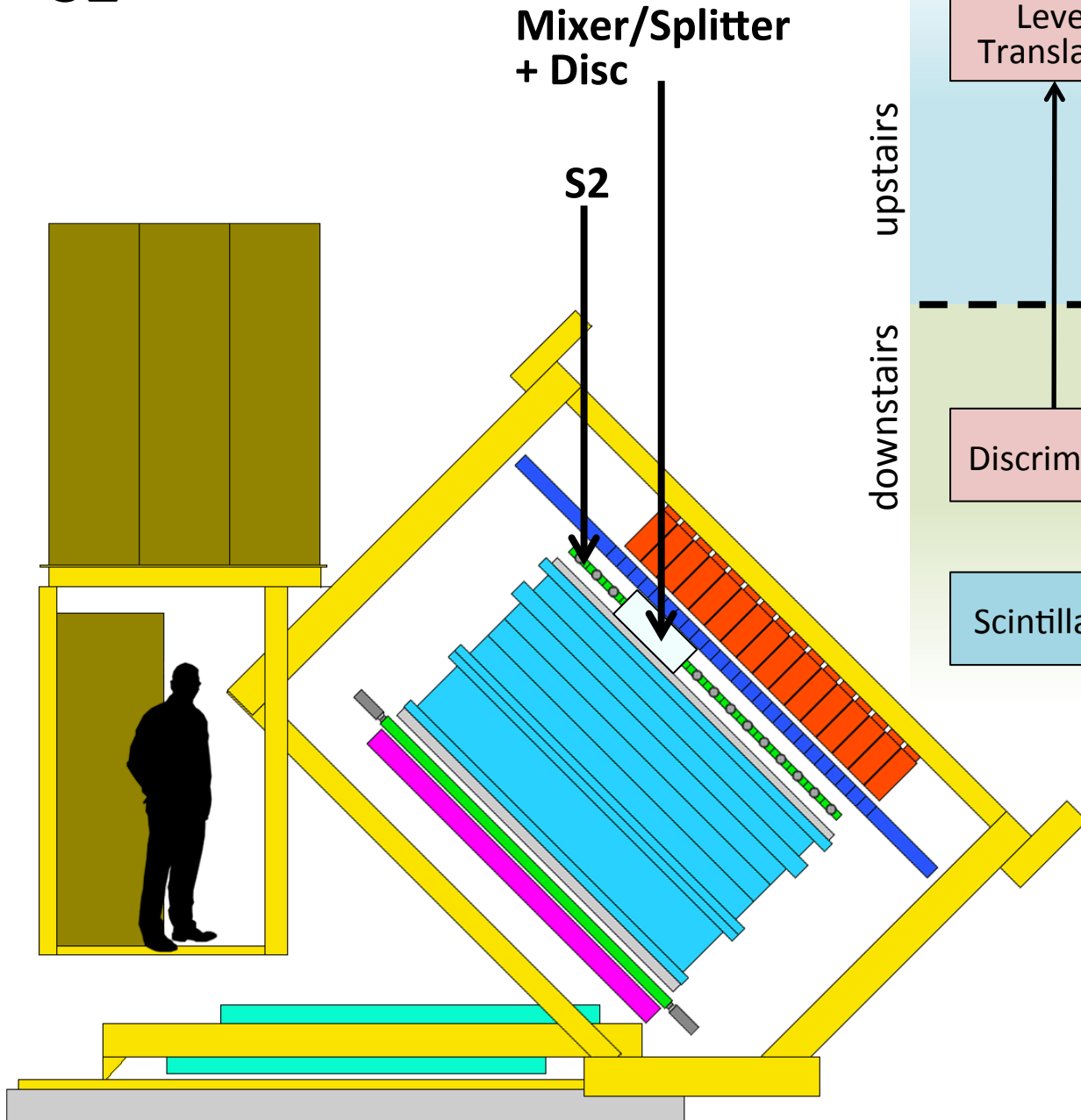
# S0 and S2



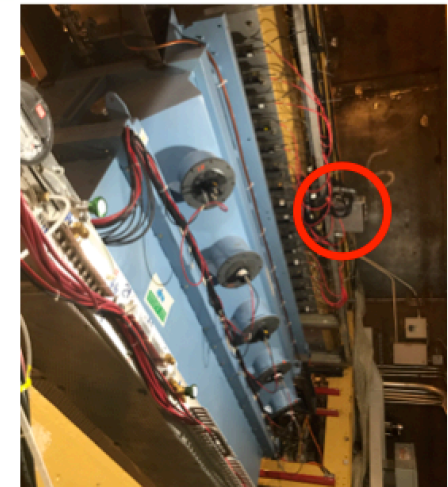
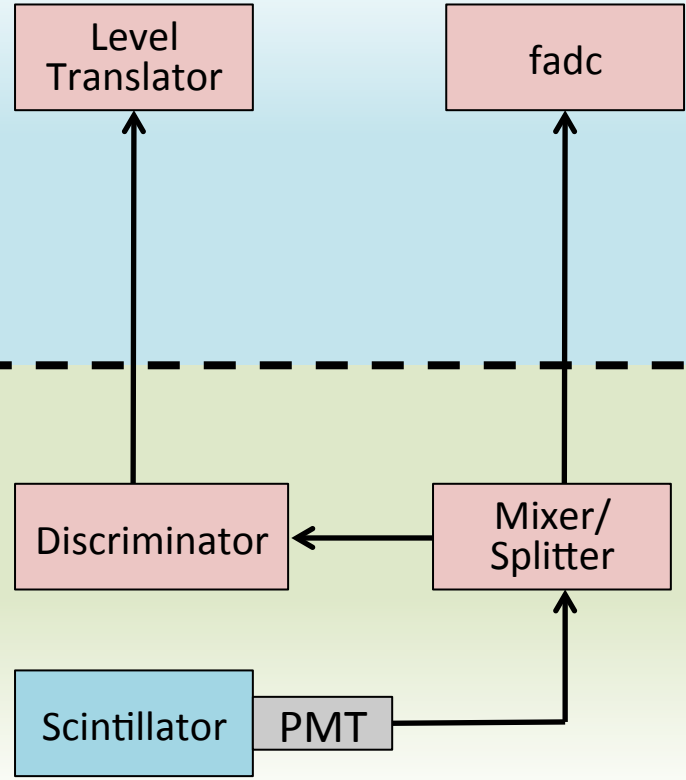
S0



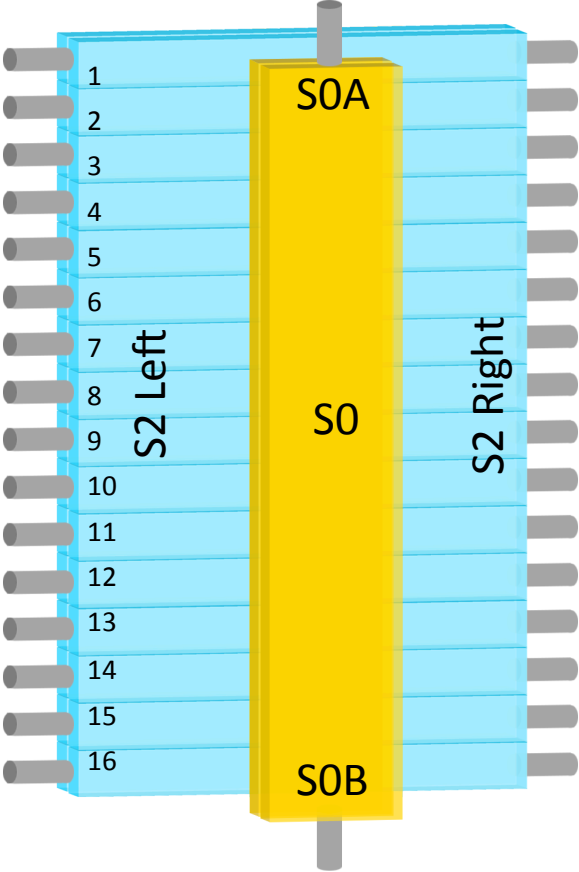
# S2



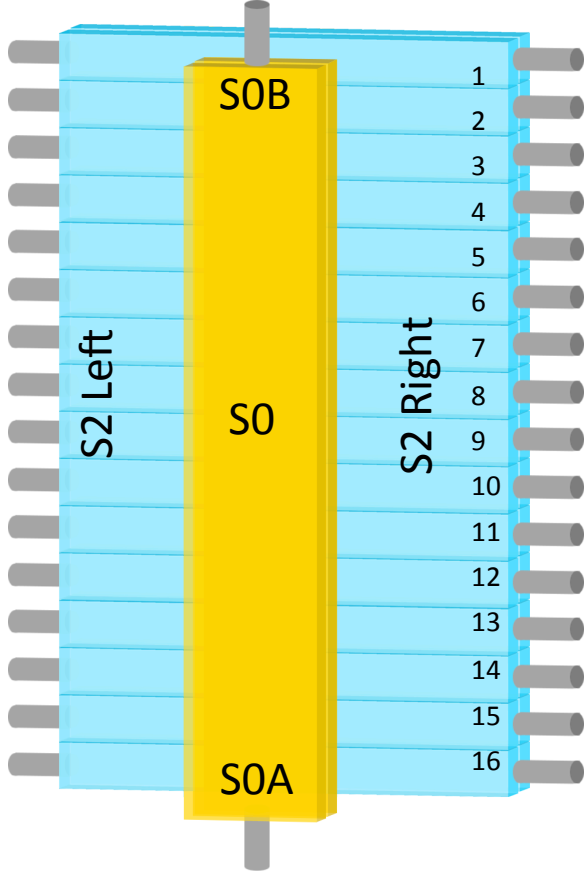
upstairs  
downstairs



# S0A and S0B have different meanings in the two arms



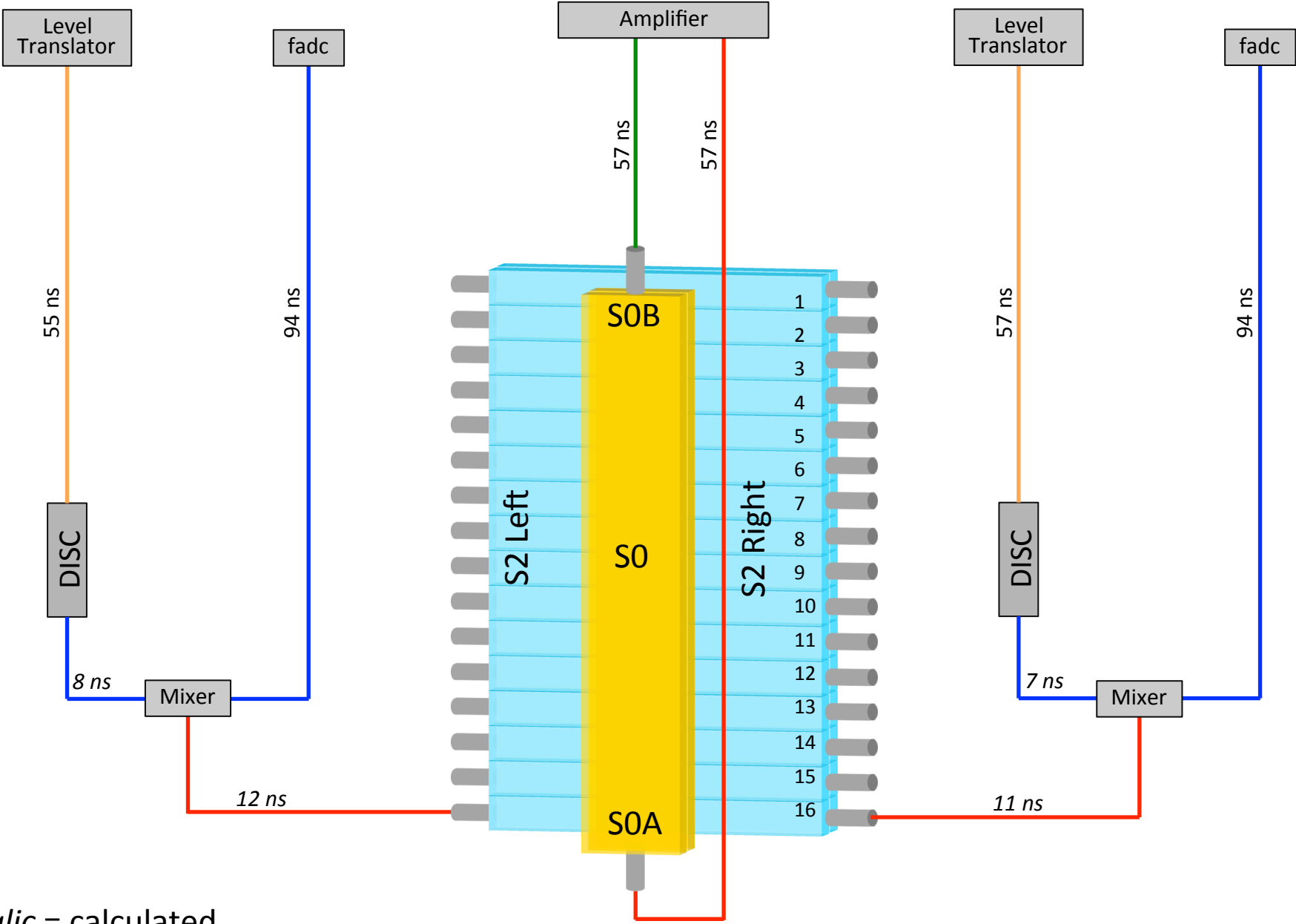
**LHRS**



**RHRS**



# RHRS

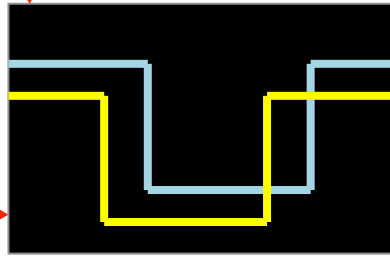




## 2 methods used in these measurements



Scope



- Scope impedance from  $50\Omega$  to  $1M\Omega$
- Measure reflections

