

Preparation Part

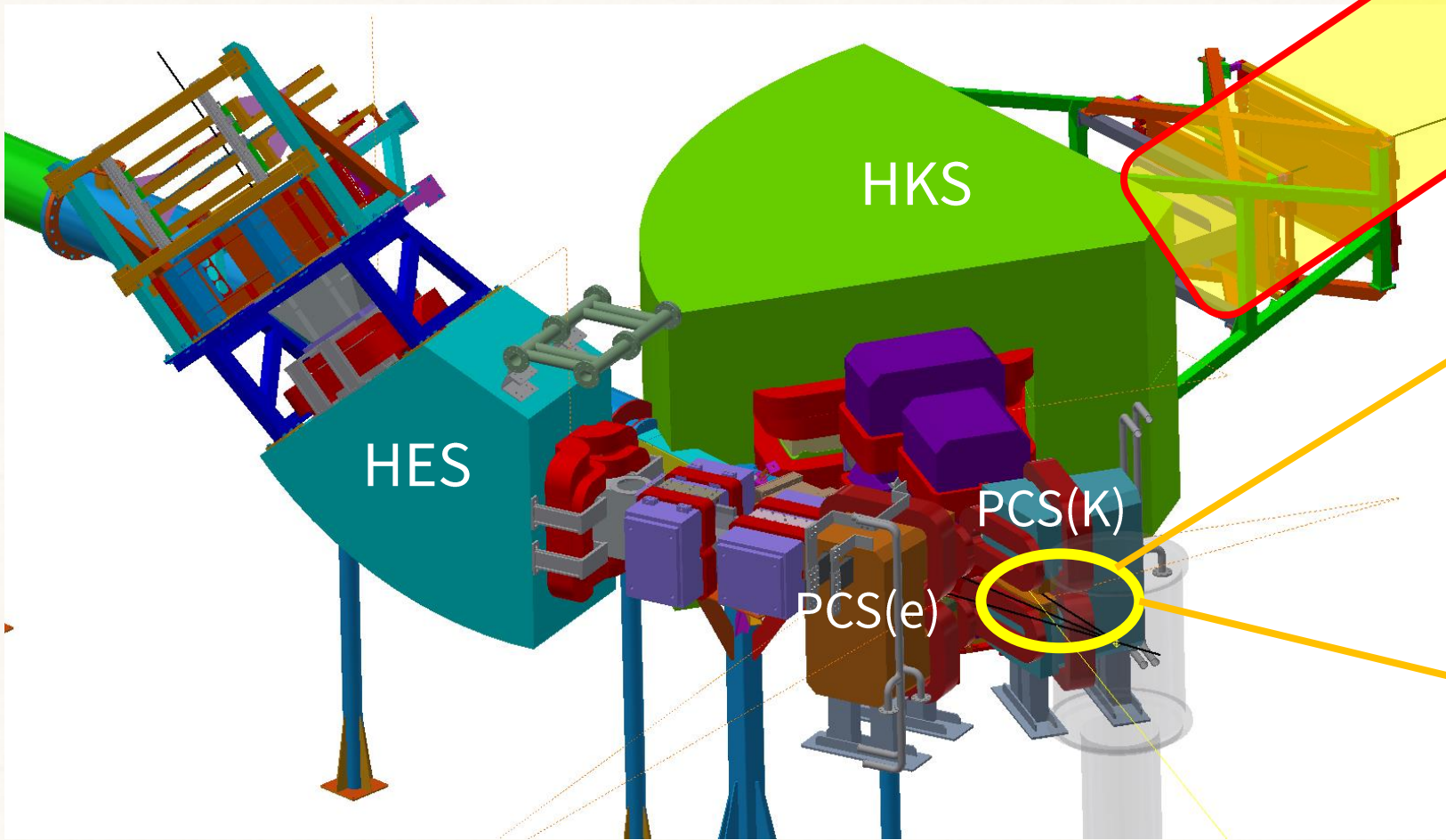
K. Okuyama (Tohoku Univ.)	Experimental performance study by Geant4 for the Hall C option
T. Akiyama (Tohoku Univ.)	Sieve slit study by Geant4 (PCS+HKS)
R. Kino (Tohoku Univ.)	Scintillation fiber detector for angle calibration
S. Nagano (Tohoku Univ.)	Status of new water Cherenkov detector

HKS

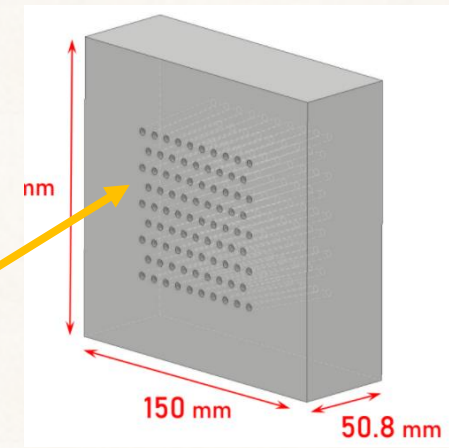
HES ($\Phi = 0 - 90^\circ$)

➤ Spectrometer Performance
by Kazuki Okuyama

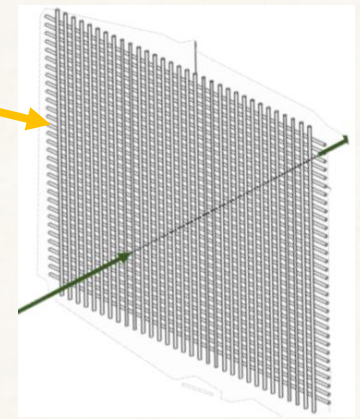
SPL

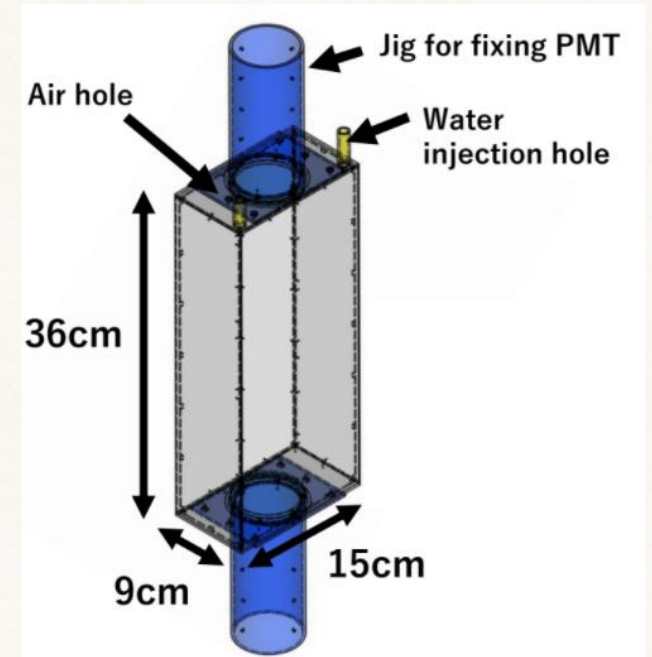
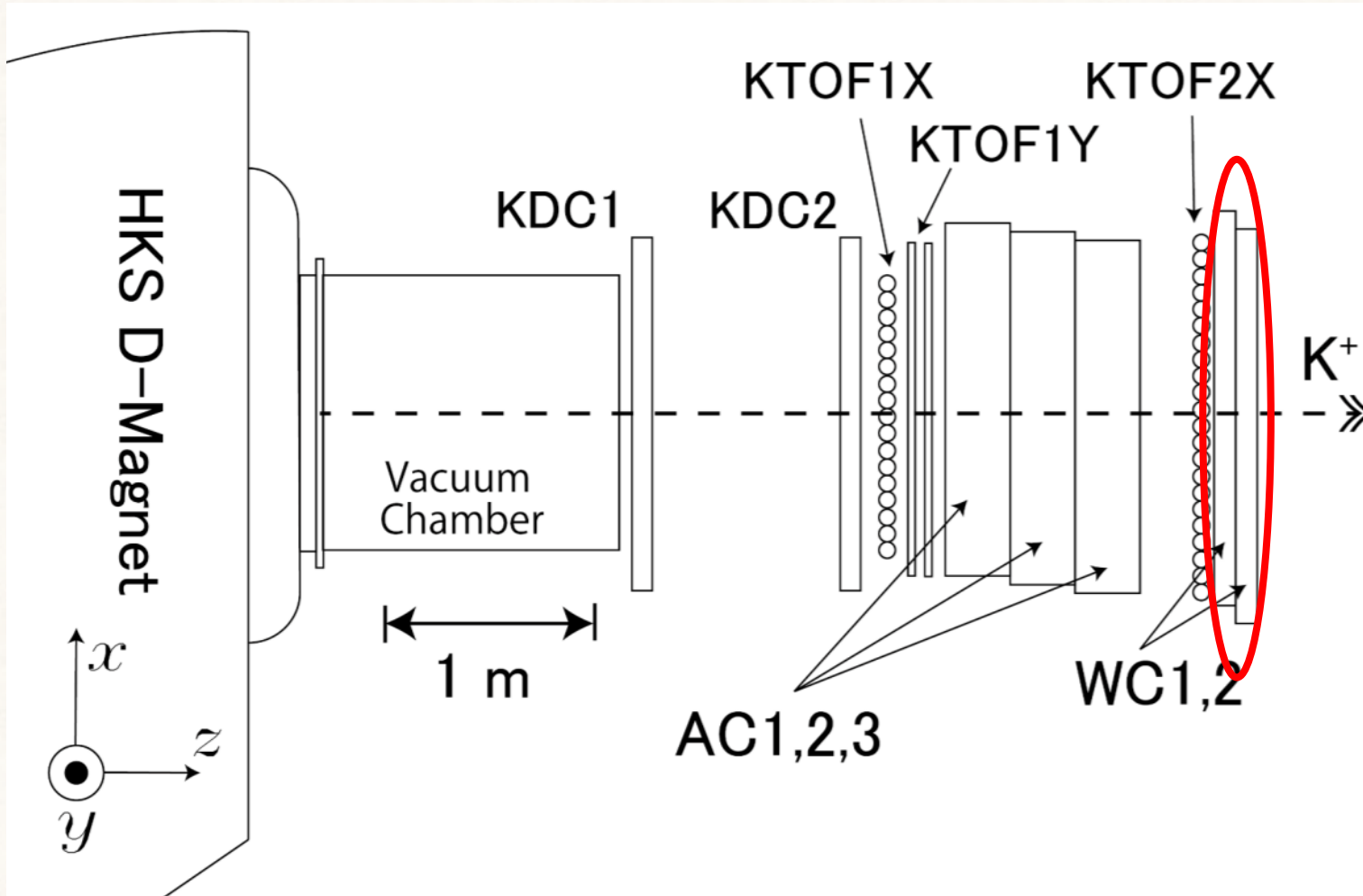


➤ Sieve Slit
by Takeru Akiyama



➤ Sieve Detector (Sci-Fi)
by Ryoko Kino





- New Water Cherenkov by Shintaro Nagano